



**FLEETWOOD**  
WINDOWS & DOORS  
FleetwoodUSA.com

**NORWOOD 3050**  
XXXX CUSTOM CONFIGURATION  
NO SCREENS 1" HIDDEN TRACK

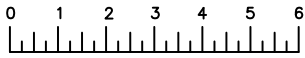
ORDER NO.:

ITEM NO.:

REQUIRED DEALER INFO.

**A**(NET FRAME WIDTH)

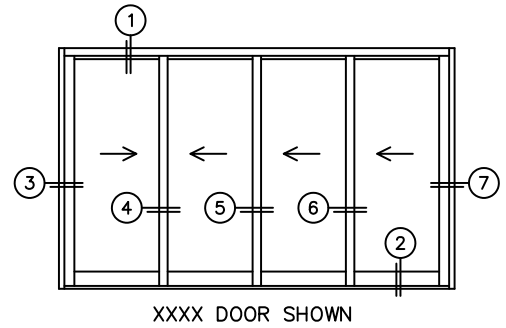
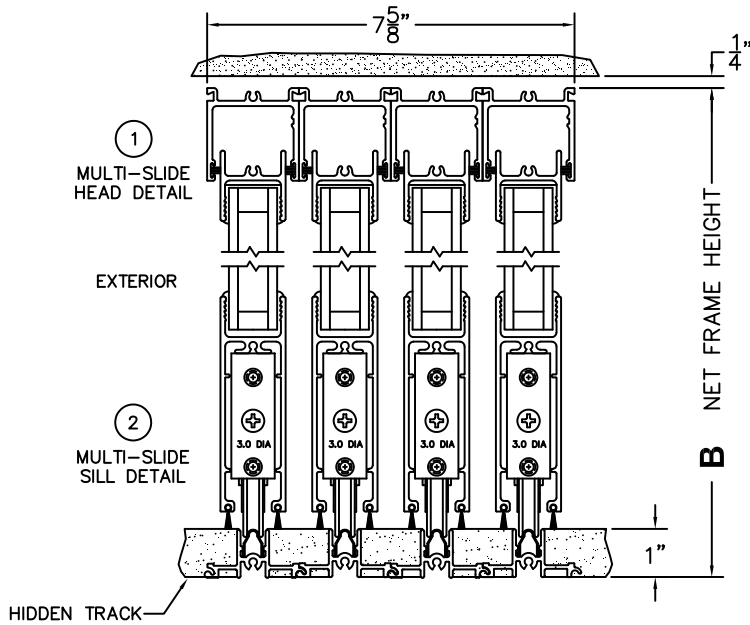
**B**(NET FRAME HEIGHT)



(USE RULER TO SCALE DIMENSIONS IN INCHES)

SCALE: 1/4

NOTES:



③ LOCK JAMB      ④ INTERLOCKERS      ⑤ INTERLOCKERS      ⑥ INTERLOCKERS      ⑦ LOCK JAMB

