

**FLEETWOOD**  
WINDOWS & DOORS  
FleetwoodUSA.com

# NORWOOD 3050

PXXXXX CUSTOM CONFIGURATION  
NO SCREENS 1" HIDDEN TRACK

ORDER NO.:

ITEM NO.:

SCALE: 1/4

REQUIRED DEALER INFO.

**A** (DAYLIGHT WIDTH)

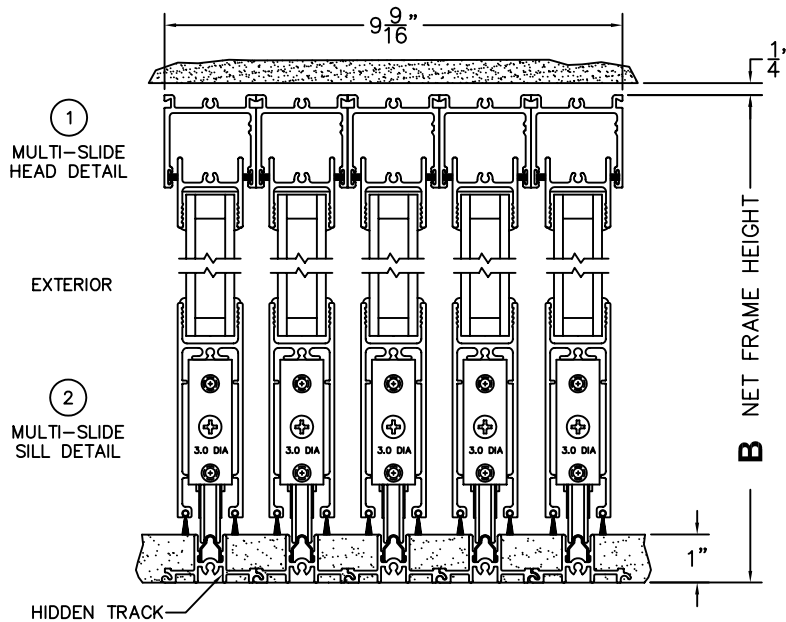
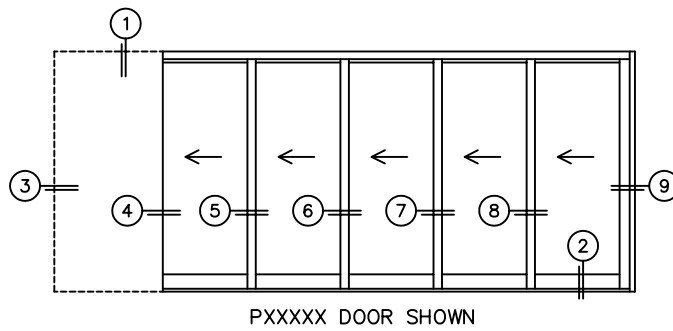
**B** (NET FRAME HEIGHT)

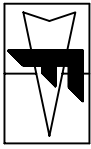
CALCULATED VALUES (FLEETWOOD SUPPLIED)

**C** (POCKET WIDTH)

**D** (NET FRAME WIDTH)

NOTES:





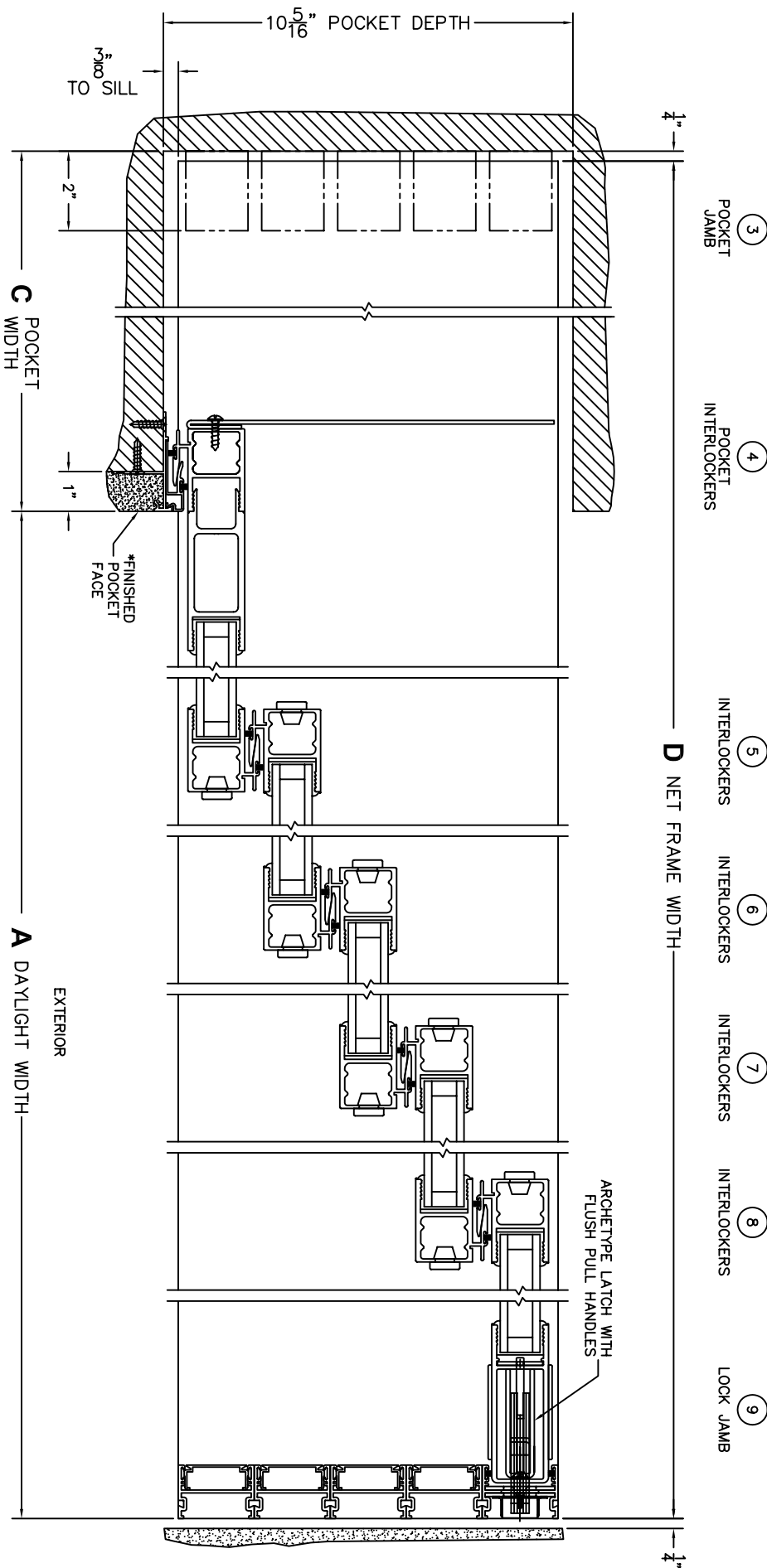
**FLEETWOOD**  
WINDOWS & DOORS  
FleetwoodUSA.com

**NORWOOD 3050**  
PXXXX CUSTOM CONFIGURATION  
NO SCREENS 1" HIDDEN TRACK

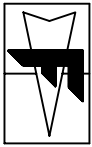
ORDER NO.:

ITEM NO.:

SCALE: 1/4



\*CAUTION: WHEN CONSTRUCTING POCKET NOTE THAT DAYLIGHT WIDTH DOES NOT INCLUDE 1" SET BACK FOR POST INTERLOCKER.



**FLEETWOOD**  
 WINDOWS & DOORS  
 FleetwoodUSA.com

**NORWOOD 3050**  
 PXXXX CUSTOM CONFIGURATION  
 NO SCREENS 1" HIDDEN TRACK

ORDER NO.:

ITEM NO.:

SCALE: 1/4

POCKET VIEW: EQUAL PANELS IN OPEN POSITION

