

FLEETWOOD
WINDOWS & DOORS
FleetwoodUSA.com

NORWOOD 3050 M/S
PXXXXIXXXXP CUSTOM CONFIGURATION
1" HIDDEN TRACK WITH SCREENS

ORDER NO.:

ITEM NO.:

SCALE: 1/4

REQUIRED DEALER INFO.

A(DAYLIGHT WIDTH)

B(NET FRAME HEIGHT)

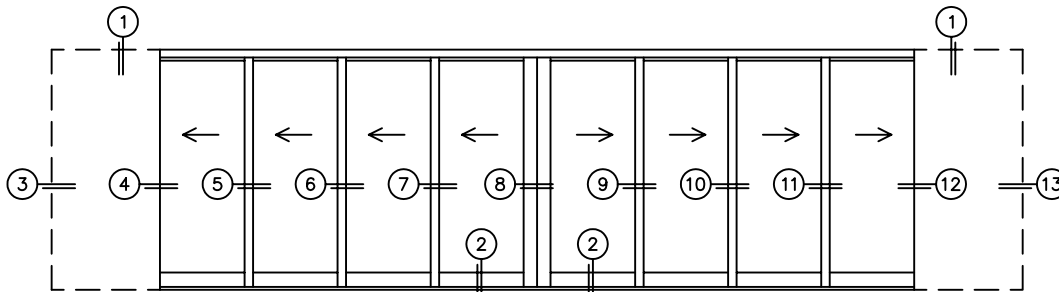
SILL PAN HEIGHT(INTERIOR LEG)
(3/4", 1-1/16", 1-7/16" OR 1-7/8")

CALCULATED VALUES (FLEETWOOD SUPPLIED)

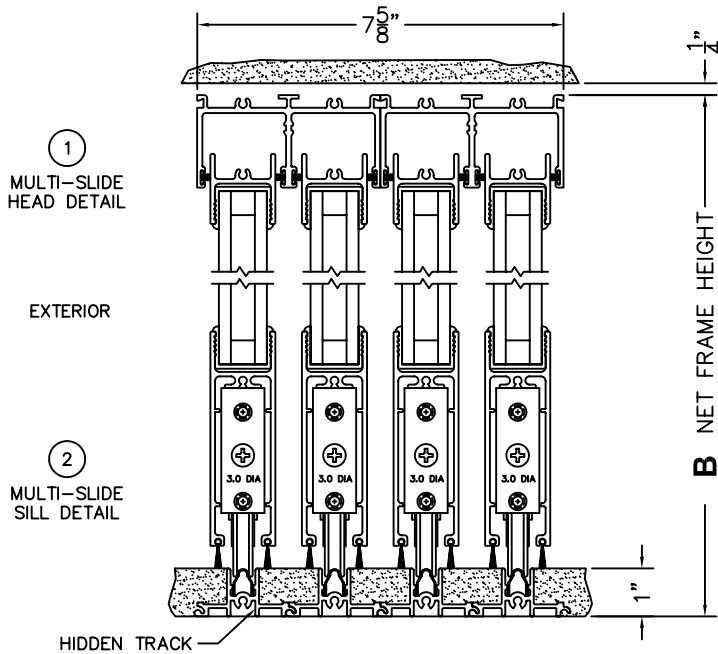
C(POCKET WIDTH)

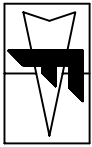
D(NET FRAME WIDTH)

NOTES:



PXXXXIXXXXP DOOR SHOWN





FLEETWOOD
 WINDOWS & DOORS
 FleetwoodUSA.com

NORWOOD 3050 M/S
 PXXXXXXXP CUSTOM CONFIGURATION
 1" HIDDEN TRACK WITH SCREENS

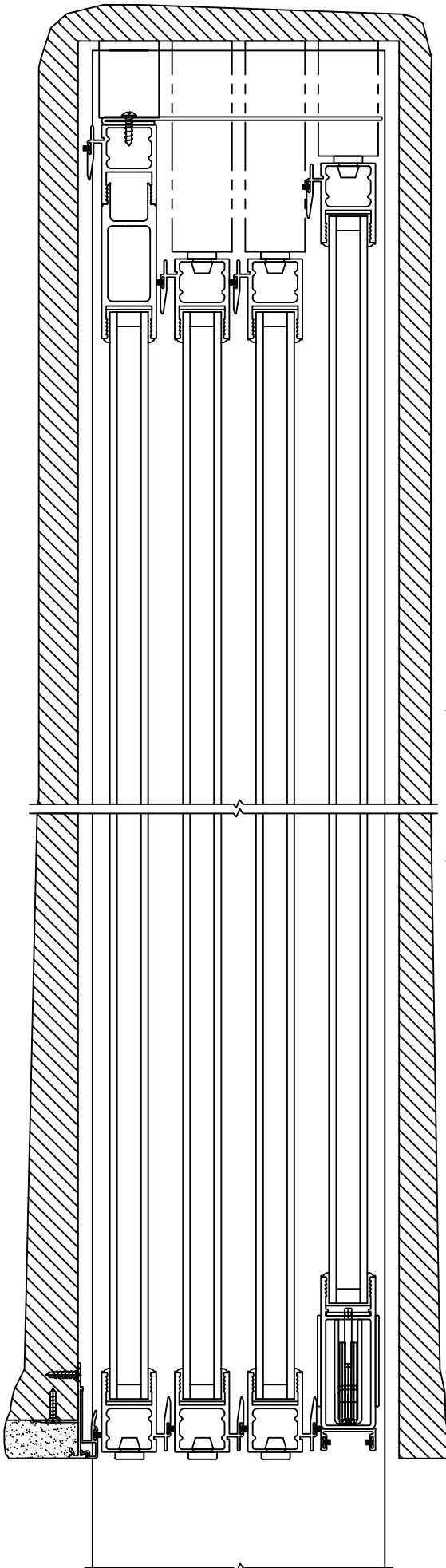
ORDER NO.:

ITEM NO.:

SCALE: 1/4

POCKET VIEWS: PANELS IN OPEN POSITION

(LEFT SIDE)



(RIGHT SIDE)

