

FLEETWOOD
WINDOWS & DOORS
FleetwoodUSA.com

NORWOOD 3050 M/S
PXXIXXP CUSTOM CONFIGURATION
1" HIDDEN TRACK NO SCREENS

ORDER NO.:

ITEM NO.:

SCALE: 1/4

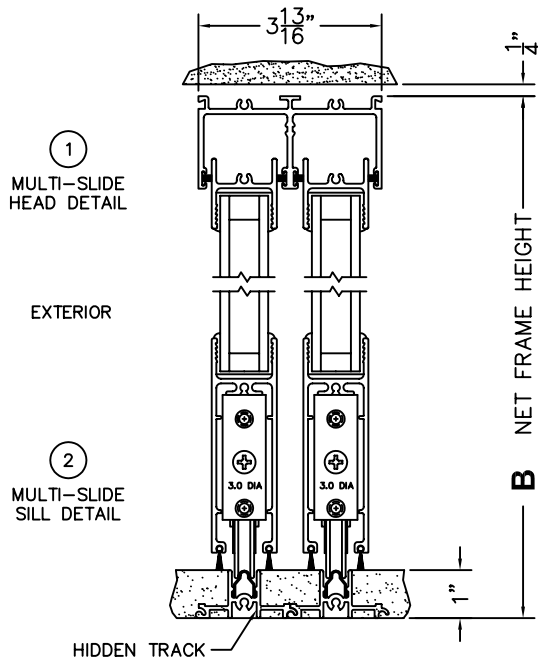
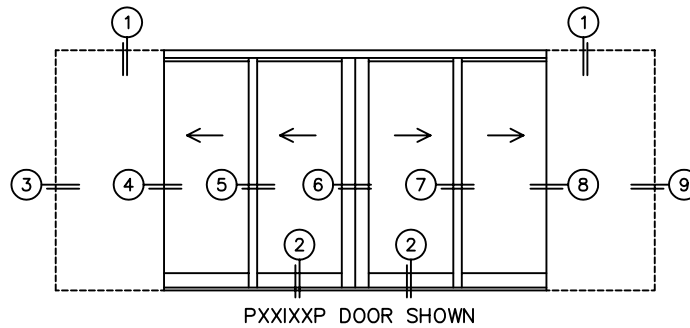
REQUIRED DEALER INFO.

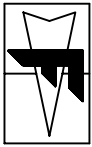
A (DAYLIGHT WIDTH)	
B (NET FRAME HEIGHT)	
SILL PAN HEIGHT(INTERIOR LEG) (3/4", 1-1/16", 1-7/16" OR 1-7/8")	

CALCULATED VALUES (FLEETWOOD SUPPLIED)

C (POCKET WIDTH)	
D (NET FRAME WIDTH)	

NOTES:





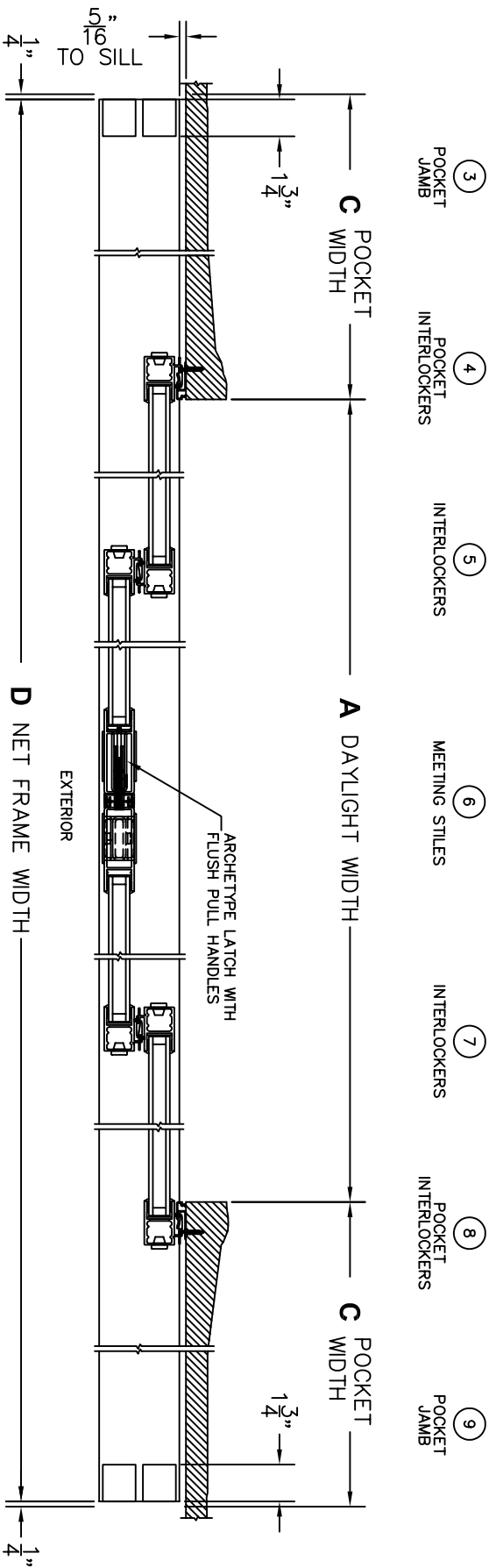
FLEETWOOD
 WINDOWS & DOORS
 FleetwoodUSA.com

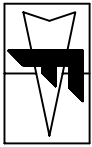
NORWOOD 3050 M/S
 PXXIXP CUSTOM CONFIGURATION
 1" HIDDEN TRACK NO SCREENS

ORDER NO.:

ITEM NO.:

SCALE: 1/8





FLEETWOOD
 WINDOWS & DOORS
 FleetwoodUSA.com

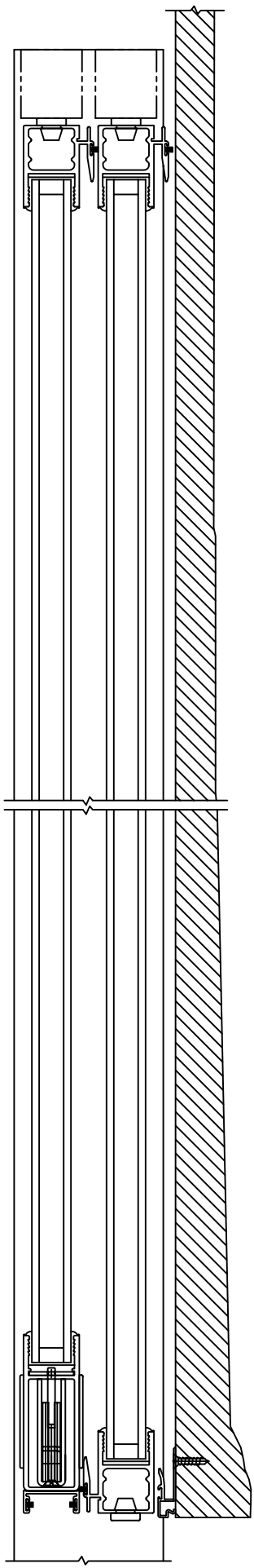
NORWOOD 3050 M/S
 PXXIXP CUSTOM CONFIGURATION
 1" HIDDEN TRACK NO SCREENS

ORDER NO.:

ITEM NO.:

SCALE: 1/4

POCKET VIEWS: PANELS IN OPEN POSITION
 (LEFT SIDE)



(RIGHT SIDE)

