

**FLEETWOOD**  
WINDOWS & DOORS  
FleetwoodUSA.com

**NORWOOD 3050**  
**OX CUSTOM CONFIGURATION**  
**1" HIDDEN TRACK WITH SCREENS**

ORDER NO.:

ITEM NO.:

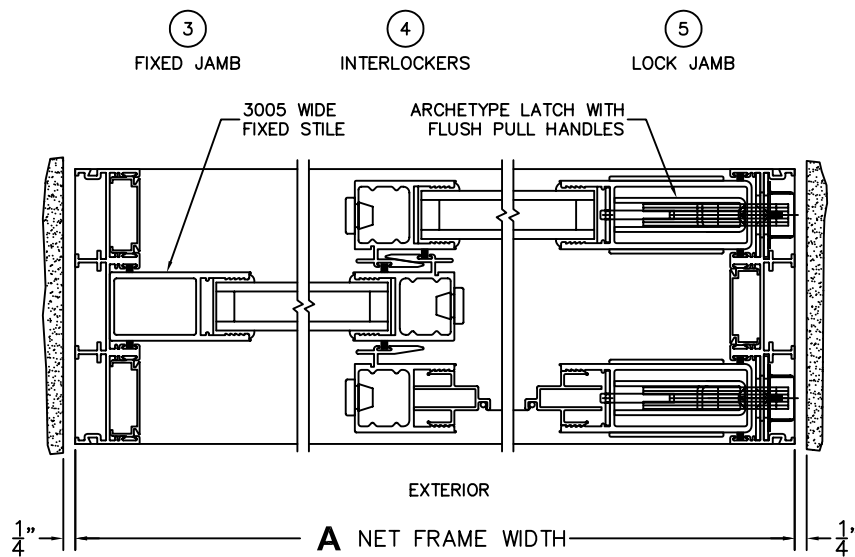
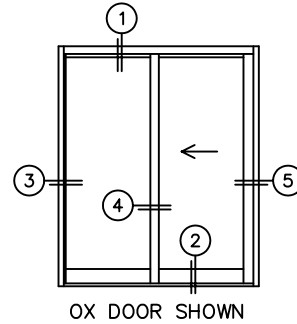
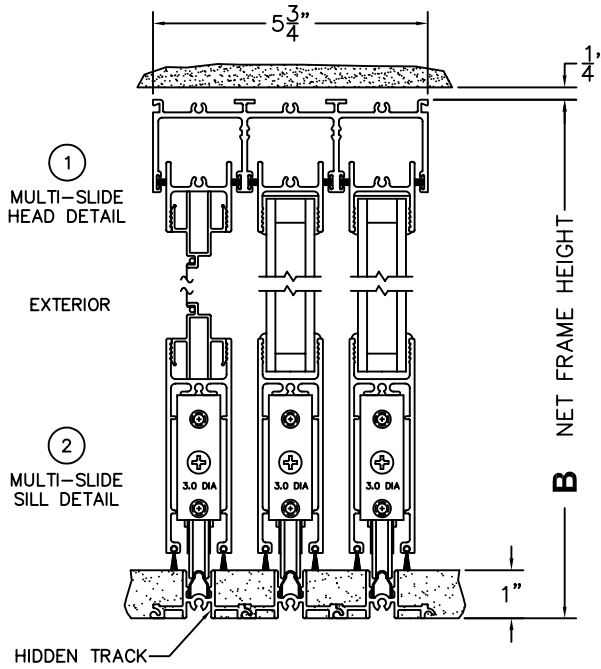
SCALE: 1/4

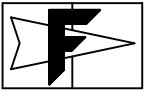
REQUIRED DEALER INFO.

**A** (NET FRAME WIDTH)

**B** (NET FRAME HEIGHT)

NOTES:





**FLEETWOOD**  
WINDOWS & DOORS  
FleetwoodUSA.com

**NORWOOD 3050**

**OX CUSTOM CONFIGURATION**  
**1" HIDDEN TRACK WITH SCREENS**

ORDER NO.:

ITEM NO.:

SCALE: 1/4

FLUSH STACK: PANELS IN OPEN POSITION

