

**FLEETWOOD**  
WINDOWS & DOORS  
FleetwoodUSA.com

# NORWOOD 3050

OX STANDARD CONFIGURATION  
NO SCREENS 1" HIDDEN TRACK

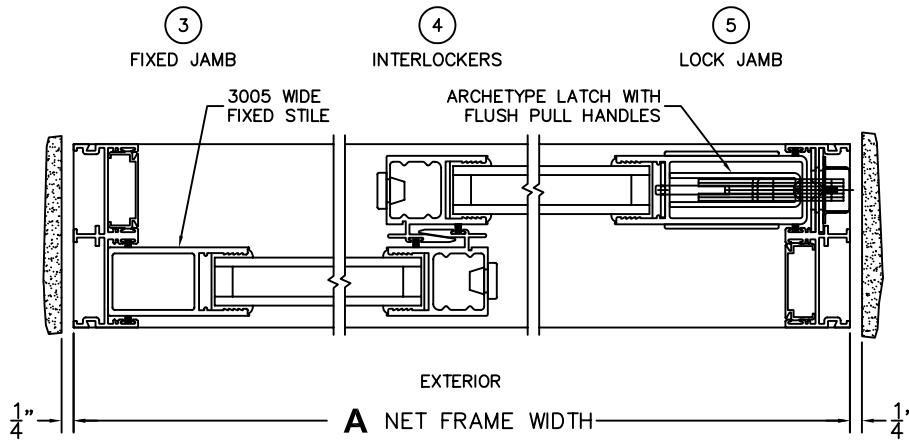
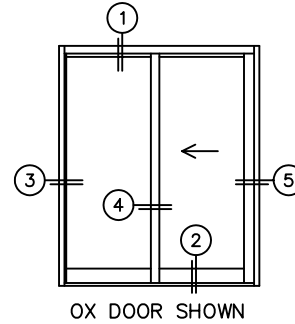
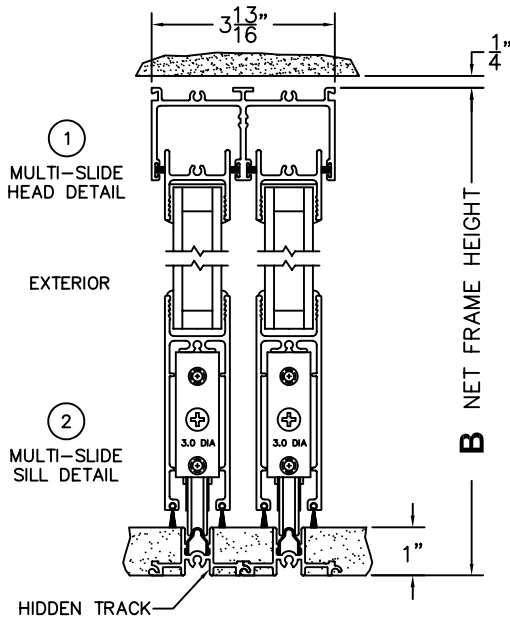
ORDER NO.:

ITEM NO.:

SCALE: 1/4

REQUIRED DEALER INFO.	
<b>A</b> (NET FRAME WIDTH)	
<b>B</b> (NET FRAME HEIGHT)	

NOTES:





**FLEETWOOD**  
WINDOWS & DOORS  
FleetwoodUSA.com

**NORWOOD 3050**

**OX STANDARD CONFIGURATION**  
**NO SCREENS 1" HIDDEN TRACK**

ORDER NO.:

ITEM NO.:

SCALE: 1/4

EQUAL GLASS: DOOR SHOWN IN OPEN POSITION

