

FLEETWOOD
WINDOWS & DOORS
FleetwoodUSA.com

NORWOOD 3050

XXXXXP CUSTOM CONFIGURATION
HIDDEN TRACK NO SCREENS

ORDER NO.:

ITEM NO.:

SCALE: 1/4

REQUIRED DEALER INFO.

A (DAYLIGHT WIDTH)

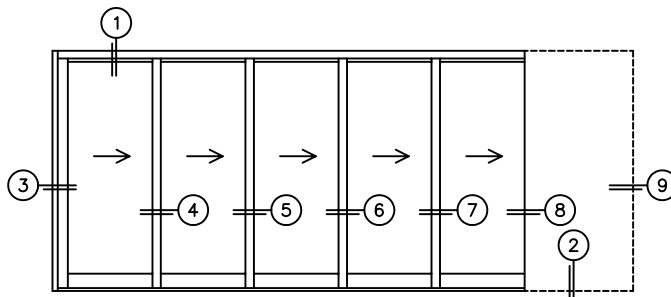
B (NET FRAME HEIGHT)

CALCULATED VALUES (FLEETWOOD SUPPLIED)

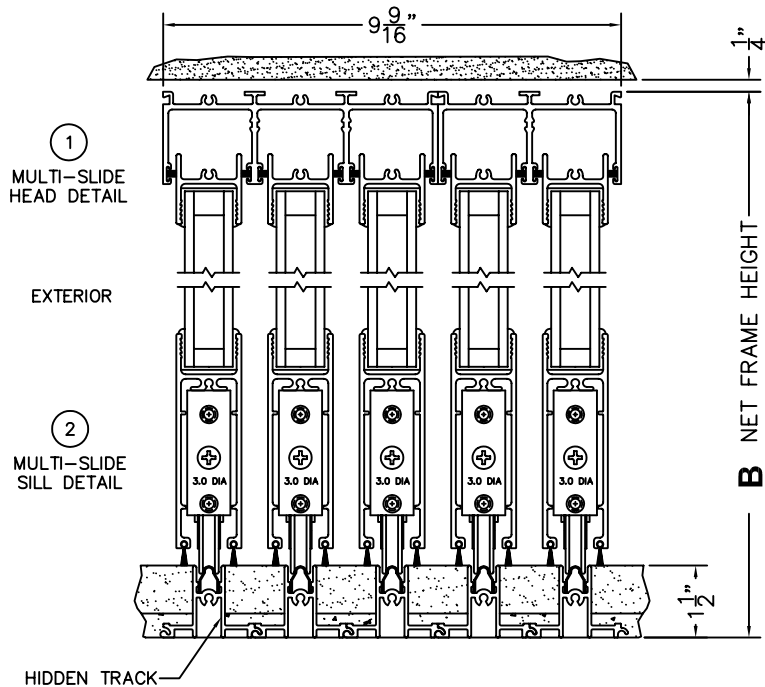
C (POCKET WIDTH)

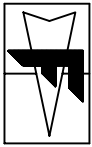
D (NET FRAME WIDTH)

NOTES:



XXXXXP DOOR SHOWN





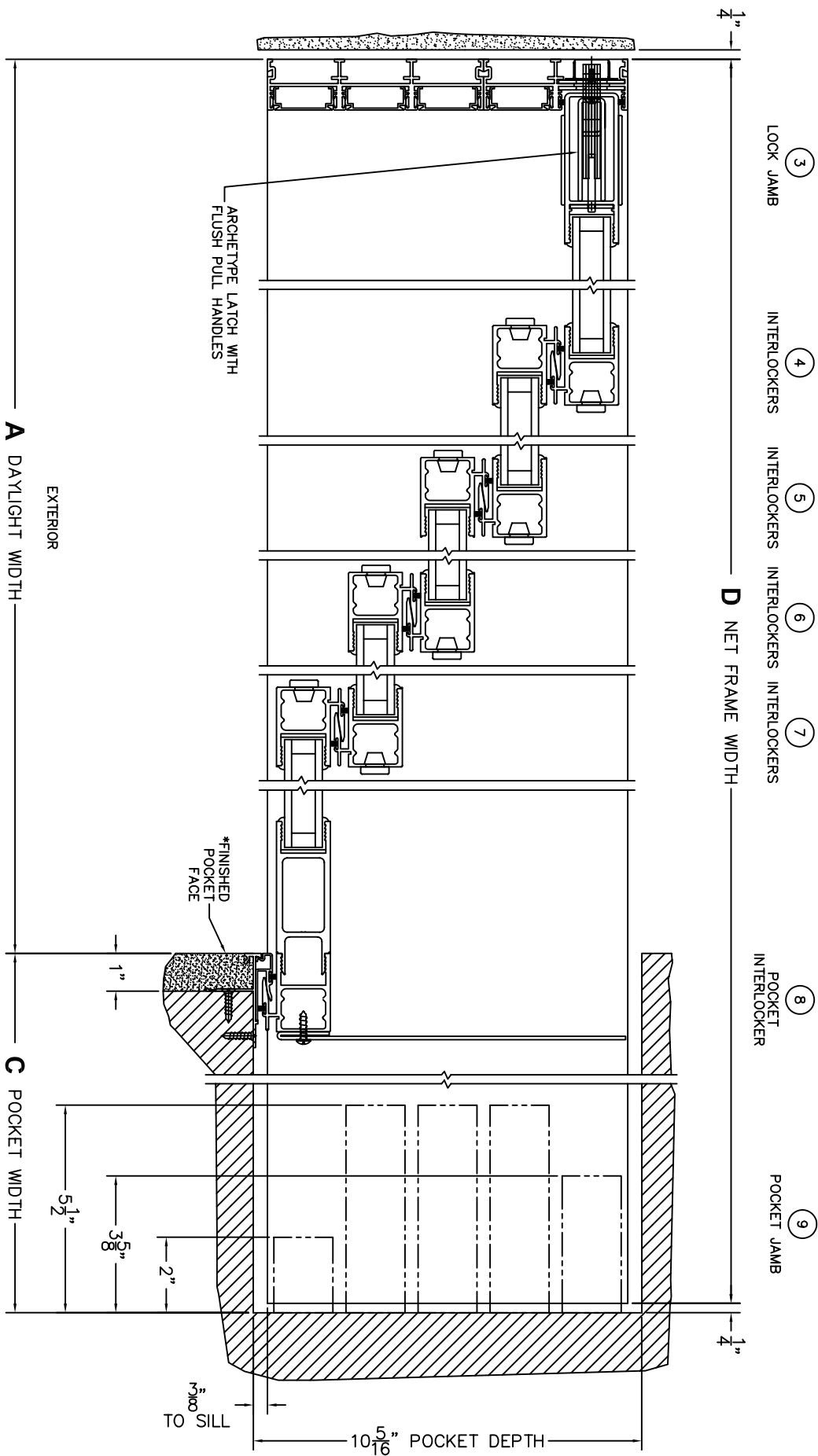
FLEETWOOD
 WINDOWS & DOORS
 FleetwoodUSA.com

NORWOOD 3050
 XXXXXP CUSTOM CONFIGURATION
 HIDDEN TRACK NO SCREENS

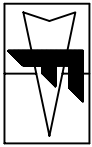
ORDER NO.:

ITEM NO.:

SCALE: 1/4



*CAUTION: WHEN CONSTRUCTING POCKET NOTE THAT DAYLIGHT WIDTH DOES NOT INCLUDE 1" SET BACK FOR POST INTERLOCKER.



FLEETWOOD
 WINDOWS & DOORS
 FleetwoodUSA.com

NORWOOD 3050
 XXXXXP CUSTOM CONFIGURATION
 HIDDEN TRACK NO SCREENS

ORDER NO.:

ITEM NO.:

SCALE: 1/4

POCKET VIEW: PANELS IN OPEN POSITION (EQUAL GLASS)

