



FLEETWOOD
WINDOWS & DOORS
FleetwoodUSA.com

NORWOOD 3050 M/S
XXXXXP STANDARD CONFIGURATION
NO SCREENS HIDDEN TRACK

ORDER NO.:

ITEM NO.:

REQUIRED DEALER INFO.

A(DAYLIGHT WIDTH)

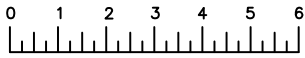
B(NET FRAME HEIGHT)

CALCULATED VALUES (FLEETWOOD SUPPLIED)

C(POCKET WIDTH)

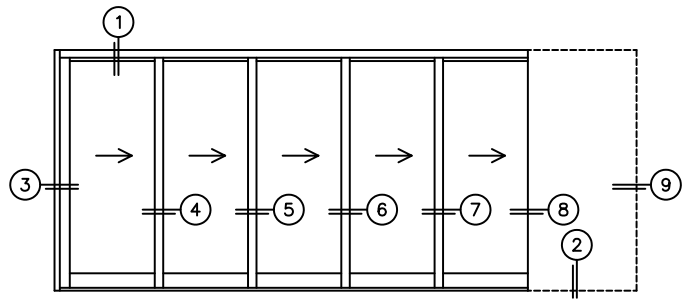
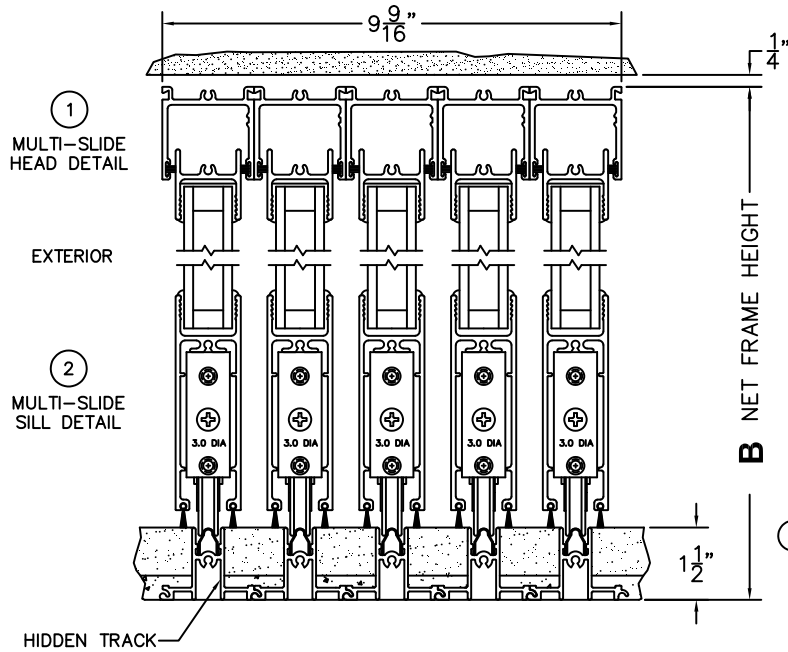
D(NET FRAME WIDTH)

NOTES:



(USE RULER TO SCALE DIMENSIONS IN INCHES)

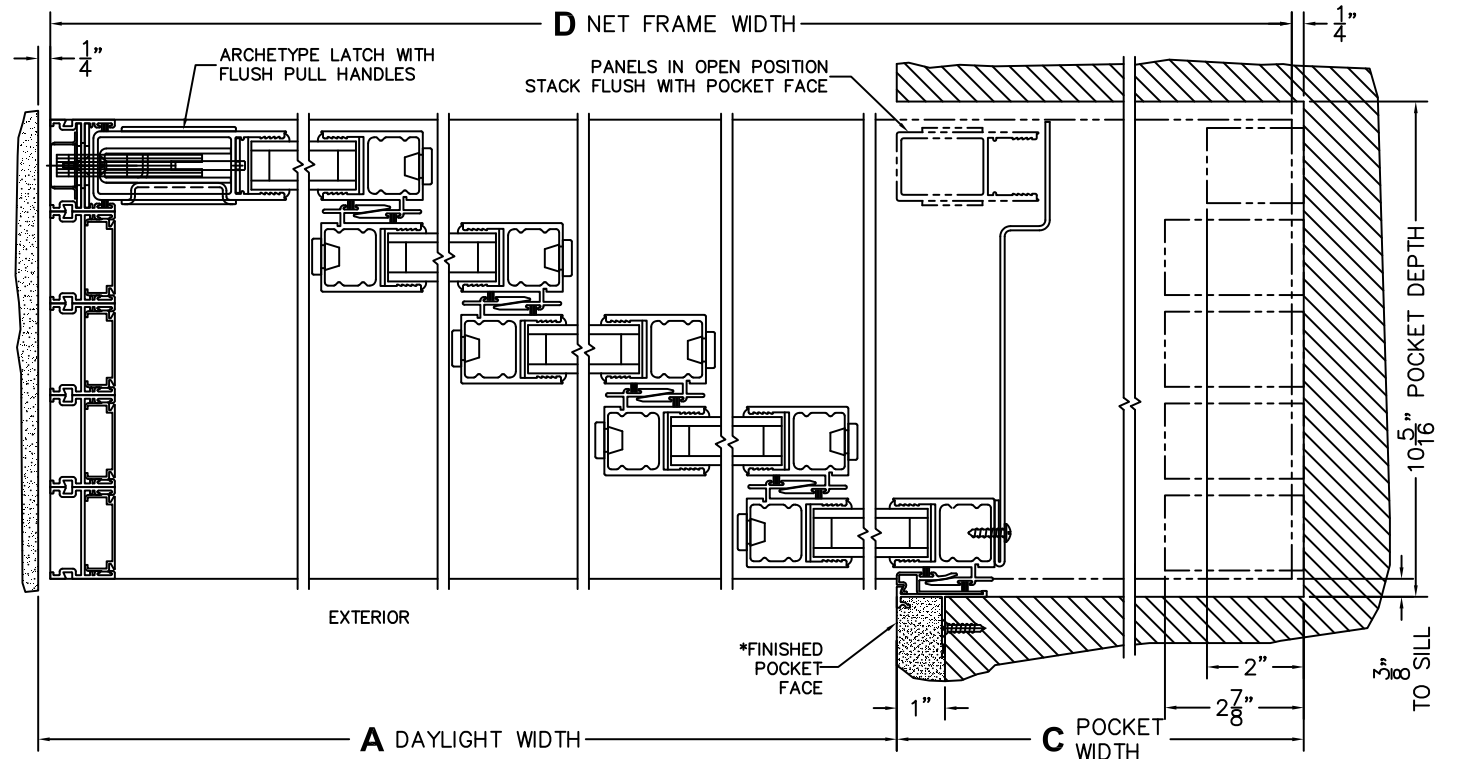
SCALE: 1/4



XXXXXP DOOR SHOWN

3 LOCK JAMBA 4 INTERLOCKERS 5 INTERLOCKERS 6 INTERLOCKERS 7 INTERLOCKERS 8 POCKET INTERLOCKER 9 POCKET JAMBA

D NET FRAME WIDTH



EXTERIOR

A DAYLIGHT WIDTH

*FINISHED POCKET FACE

C POCKET WIDTH

POCKET DEPTH
10 5/16"
TO SILL

*CAUTION: WHEN CONSTRUCTING POCKET NOTE THAT DAYLIGHT WIDTH DOES NOT INCLUDE 1" SET BACK FOR POST INTERLOCKER.