



**FLEETWOOD**  
WINDOWS & DOORS  
FleetwoodUSA.com

**NORWOOD 3050**  
XXXXX STANDARD CONFIGURATION  
NO SCREENS

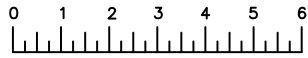
ORDER NO.:

ITEM NO.:

REQUIRED DEALER INFO.

**A**(NET FRAME WIDTH)

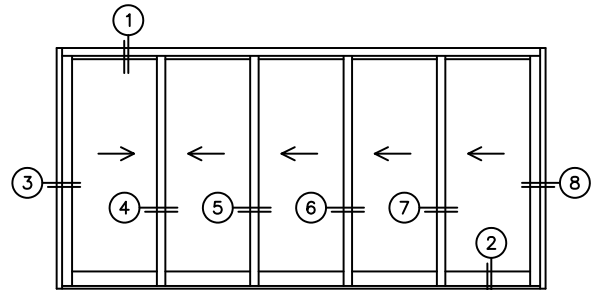
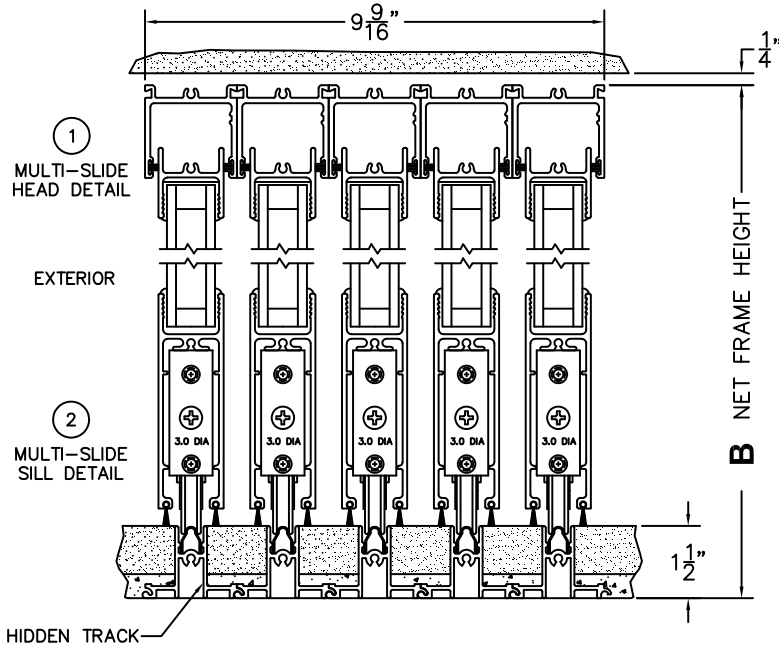
**B**(NET FRAME HEIGHT)



(USE RULER TO SCALE DIMENSIONS IN INCHES)

SCALE: 1/4

NOTES:



XXXXX DOOR SHOWN

- (3)  
LOCK JAMB
- (4)  
INTERLOCKERS
- (5)  
INTERLOCKERS
- (6)  
INTERLOCKERS
- (7)  
INTERLOCKERS
- (8)  
LOCK JAMB

