

**FLEETWOOD**  
WINDOWS & DOORS  
FleetwoodUSA.com

# NORWOOD 3050

XXXXIXXXX STANDARD CONFIGURATION  
WITHSCREENS

ORDER NO.:

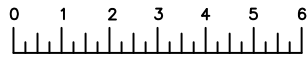
ITEM NO.:

REQUIRED DEALER INFO.

**A**(NET FRAME WIDTH)

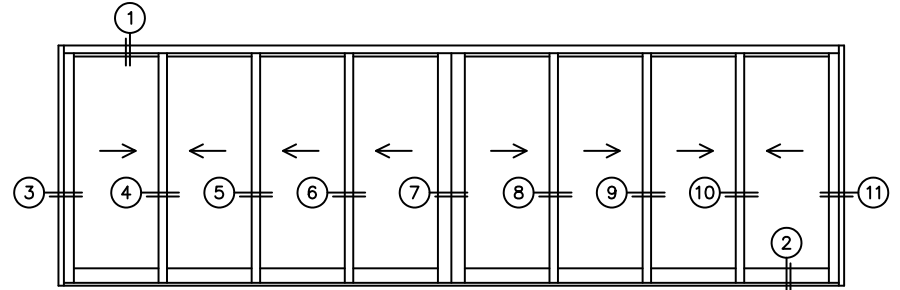
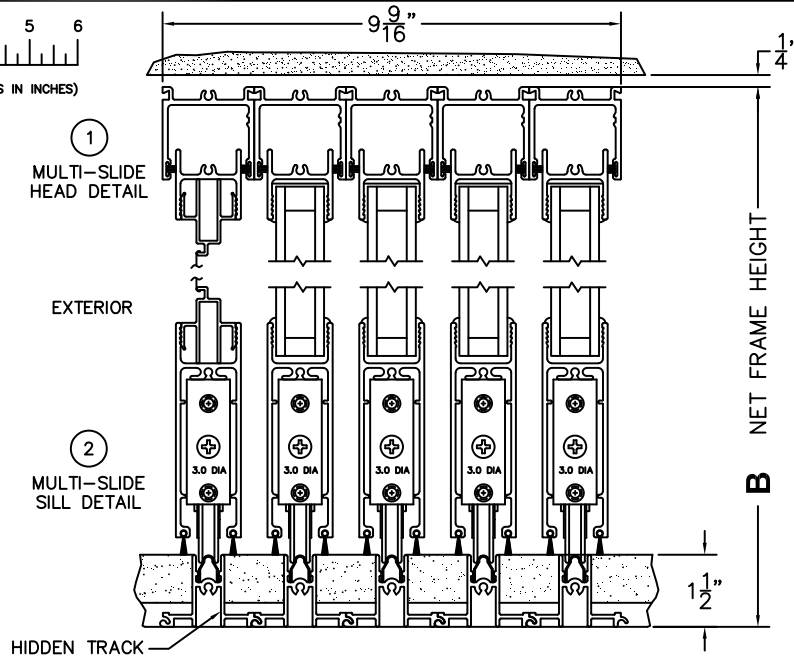
**B**(NET FRAME HEIGHT)

NOTES:



(USE RULER TO SCALE DIMENSIONS IN INCHES)

SCALE: 1/4



ARCHETYPE LATCH WITH  
FLUSH PULL HANDLES

③ LOCK JAMB      ④ INTERLOCKERS      ⑤ INTERLOCKERS      ⑥ INTERLOCKERS      ⑦ MEETING STILES      ⑧ INTERLOCKERS      ⑨ INTERLOCKERS      ⑩ INTERLOCKERS      ⑪ LOCK JAMB

