

**FLEETWOOD**  
WINDOWS & DOORS  
FleetwoodUSA.com

# NORWOOD 3050

XXXXIXXXX STANDARD CONFIGURATION  
NO SCREENS

ORDER NO.:

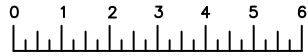
ITEM NO.:

REQUIRED DEALER INFO.

**A** (NET FRAME WIDTH)

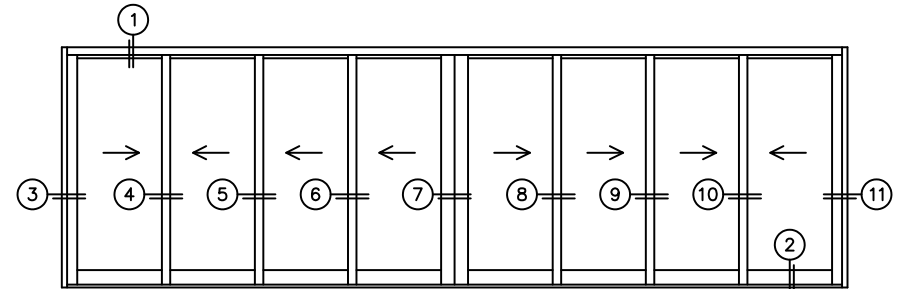
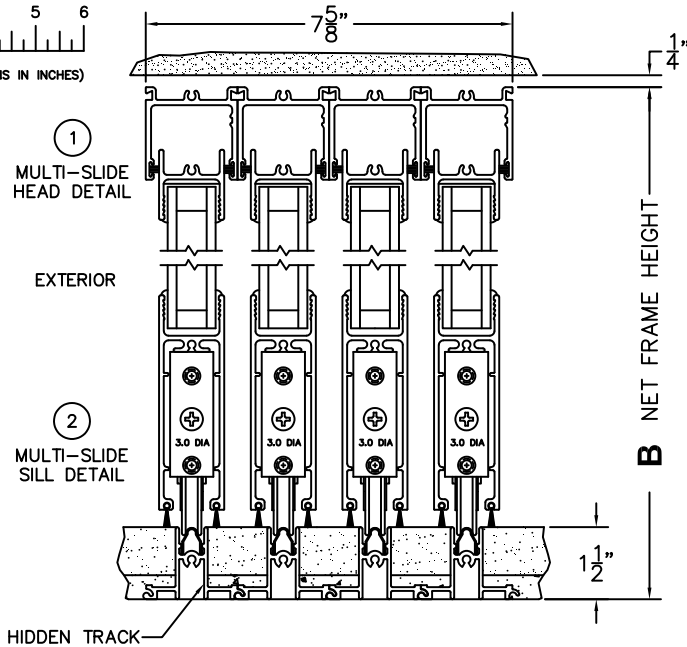
**B** (NET FRAME HEIGHT)

NOTES:



(USE RULER TO SCALE DIMENSIONS IN INCHES)

SCALE: 1/4



XXXXIXXXX DOOR SHOWN

- ③ LOCK JAMB
- ④ INTERLOCKERS
- ⑤ INTERLOCKERS
- ⑥ INTERLOCKERS
- ⑦ MEETING STILES
- ⑧ INTERLOCKERS
- ⑨ INTERLOCKERS
- ⑩ INTERLOCKERS
- ⑪ LOCK JAMB

FLUSH PULL HARDWARE WITH SECURITY LATCH

