



**FLEETWOOD**  
WINDOWS & DOORS  
FleetwoodUSA.com

**NORWOOD 3050**  
XXXX CUSTOM CONFIGURATION  
HIDDEN TRACK NO SCREENS

ORDER NO.:

ITEM NO.:

SCALE: 1/4

REQUIRED DEALER INFO.

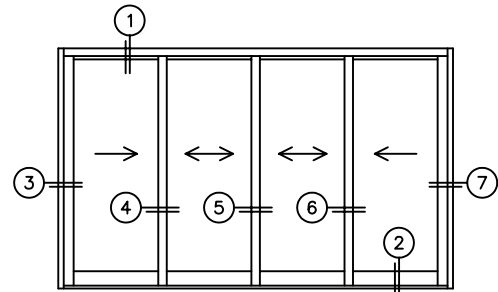
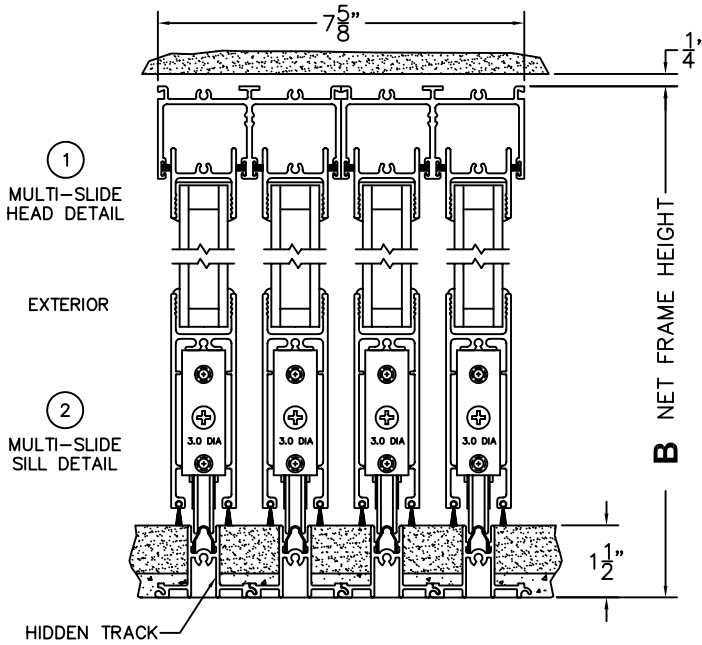
**A**(NET FRAME WIDTH)

**B**(NET FRAME HEIGHT)

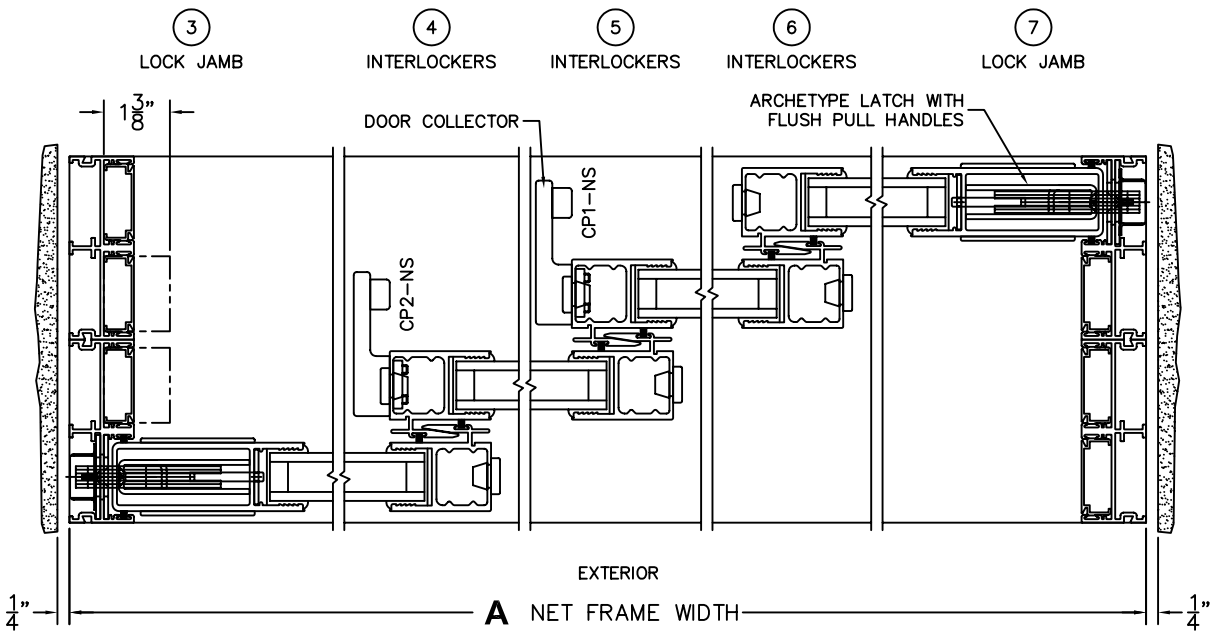
NOTES:

**DOOR COLLECTOR B.O.M.**

FW PART NO.	QTY.
1063-1	2
1064-2	2
SCREW SIZES / LENGTHS	
#4-40 X 5/16"	4
#10-32 X 1-1/8"	4



XXXX DOOR SHOWN





**FLEETWOOD**  
WINDOWS & DOORS  
FleetwoodUSA.com

**NORWOOD 3050**

XXXX CUSTOM CONFIGURATION  
HIDDEN TRACK NO SCREENS

ORDER NO.:

ITEM NO.:

SCALE: 1/4

PANELS IN OPEN POSITION

