



**FLEETWOOD**  
WINDOWS & DOORS  
FleetwoodUSA.com

**NORWOOD 3050**  
XXXX STANDARD CONFIGURATION  
NO SCREENS HIDDEN TRACK

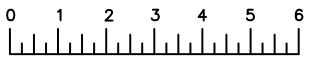
ORDER NO.:

ITEM NO.:

REQUIRED DEALER INFO.

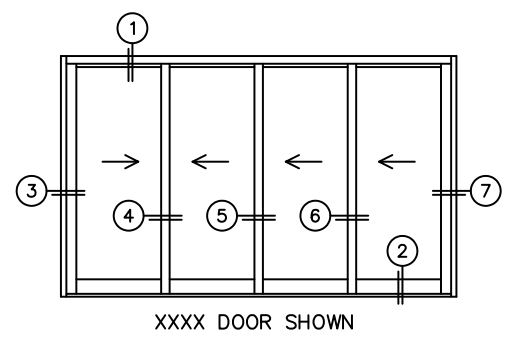
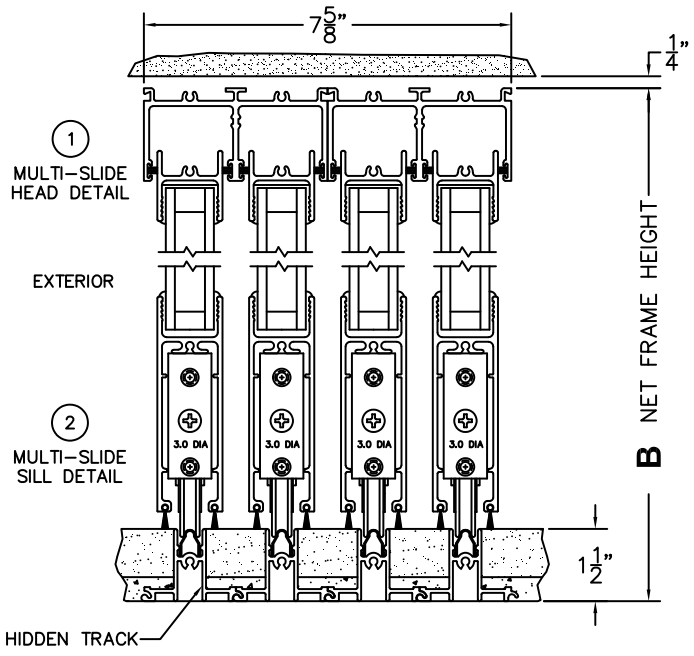
|                             |  |
|-----------------------------|--|
| <b>A</b> (NET FRAME WIDTH)  |  |
| <b>B</b> (NET FRAME HEIGHT) |  |

NOTES:



(USE RULER TO SCALE DIMENSIONS IN INCHES)

SCALE: 1/4"



- ③  
LOCK JAMB
- ④  
INTERLOCKERS
- ⑤  
INTERLOCKERS
- ⑥  
INTERLOCKERS
- ⑦  
LOCK JAMB

