



FLEETWOOD
WINDOWS & DOORS
FleetwoodUSA.com

NORWOOD 3050
XXXP CUSTOM CONFIGURATION
WITH SCREENS

ORDER NO.:

ITEM NO.:

SCALE: 1/4

REQUIRED DEALER INFO.

A(DAYLIGHT WIDTH)

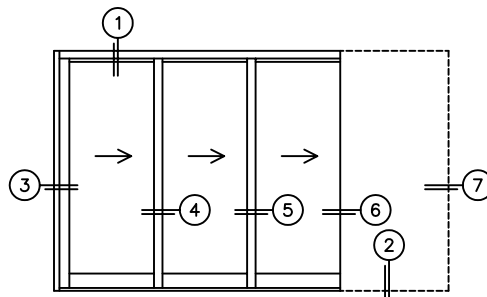
B(NET FRAME HEIGHT)

CALCULATED VALUES (FLEETWOOD SUPPLIED)

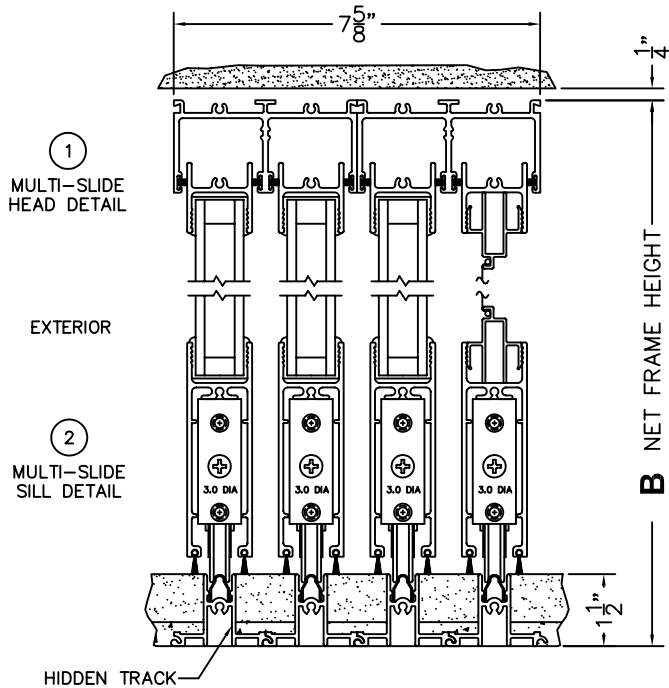
C(POCKET WIDTH)

D(NET FRAME WIDTH)

NOTES:



XXXP DOOR SHOWN



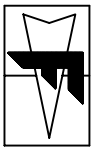
1
MULTI-SLIDE
HEAD DETAIL

EXTERIOR

2
MULTI-SLIDE
SILL DETAIL

B NET FRAME HEIGHT

HIDDEN TRACK



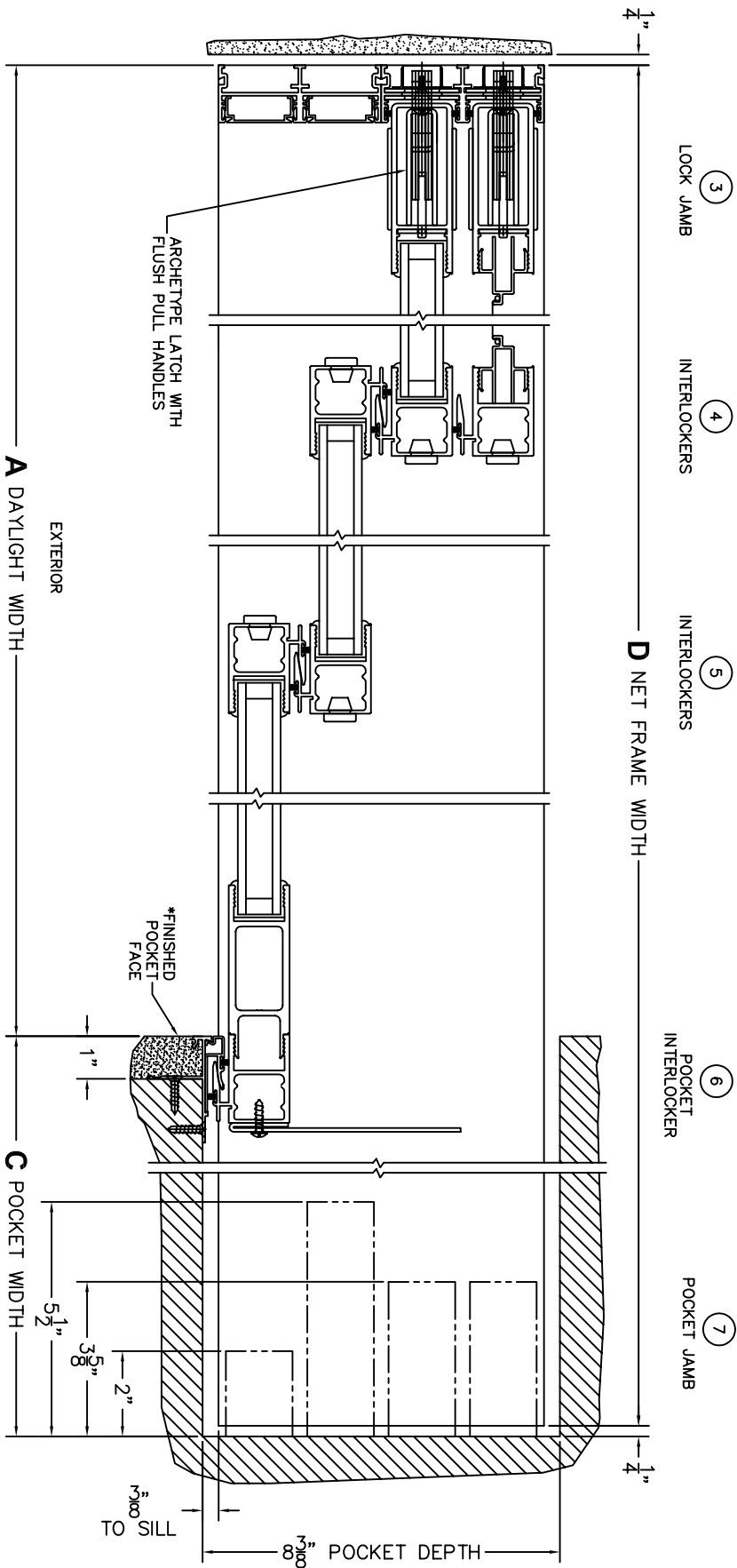
FLEETWOOD
WINDOWS & DOORS
FleetwoodUSA.com

NORWOOD 3050
XXXX CUSTOM CONFIGURATION
WITH SCREENS

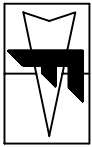
ORDER NO.:

ITEM NO.:

SCALE: 1/4



*CAUTION: WHEN CONSTRUCTING POCKET NOTE THAT DAYLIGHT WIDTH DOES NOT INCLUDE 1" SET BACK FOR POST INTERLOCKER.



FLEETWOOD
 WINDOWS & DOORS
 FleetwoodUSA.com

NORWOOD 3050
 XXXP CUSTOM CONFIGURATION
 WITH SCREENS

ORDER NO.:

ITEM NO.:

SCALE: 1/4

POCKET VIEW: PANELS IN OPEN POSITION

