

FLEETWOOD
WINDOWS & DOORS
FleetwoodUSA.com

NORWOOD 3050
XXXXP CUSTOM CONFIGURATION
HIDDEN TRACK NO SCREENS

ORDER NO.:

ITEM NO.:

SCALE: 1/4

REQUIRED DEALER INFO.

DOOR COLLECTOR B.O.M.

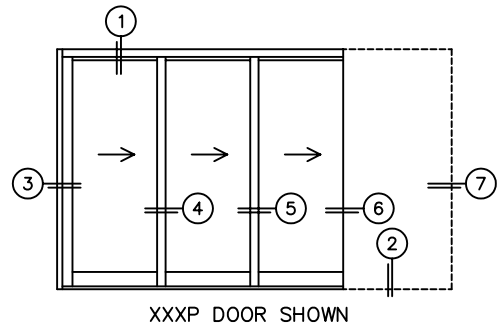
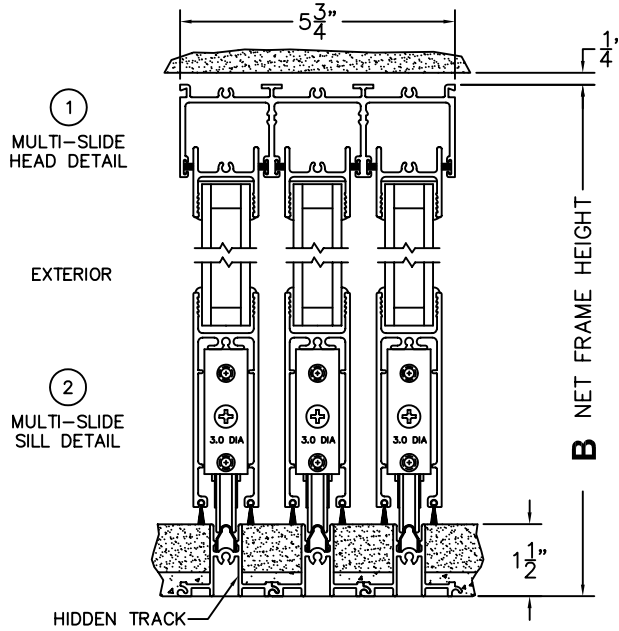
| FW PART NO. | QTY. |
|-----------------------|------|
| 1063-1 | 2 |
| 1064-2 | 2 |
| SCREW SIZES / LENGTHS | |
| #4-40 X 5/16" | 4 |
| #10-32 X 1-1/8" | 4 |

| | |
|--|--|
| A (DAYLIGHT WIDTH) | |
| B (NET FRAME HEIGHT) | |
| SILL PAN HEIGHT (INTERIOR LEG) (3/4", 1-1/16", 1-7/16" OR 1-7/8") | |

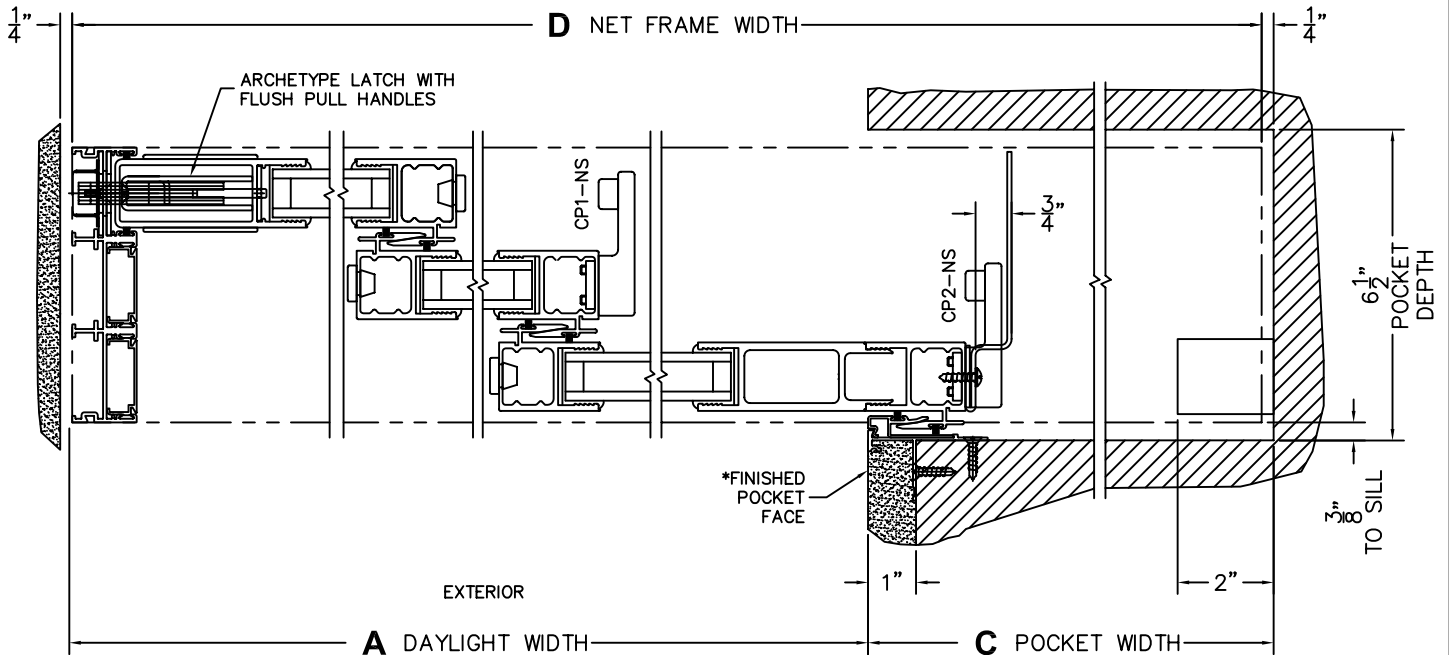
CALCULATED VALUES (FLEETWOOD SUPPLIED)

| | |
|----------------------------|--|
| C (POCKET WIDTH) | |
| D (NET FRAME WIDTH) | |

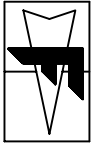
NOTES:



- ③ LOCK JAMB
- ④ INTERLOCKERS
- ⑤ INTERLOCKERS
- ⑥ POCKET INTERLOCKERS
- ⑦ POCKET JAMB



*CAUTION: WHEN CONSTRUCTING POCKET NOTE THAT DAYLIGHT WIDTH DOES NOT INCLUDE 1" SET BACK FOR POST INTERLOCKER.



FLEETWOOD
 WINDOWS & DOORS
 FleetwoodUSA.com

NORWOOD 3050
 XXXP CUSTOM CONFIGURATION
 HIDDEN TRACK NO SCREENS

ORDER NO.:

ITEM NO.:

SCALE: 1/4

POCKET VIEW: PANELS IN OPEN POSITION

