



FLEETWOOD
WINDOWS & DOORS
FleetwoodUSA.com

NORWOOD 3050 M/S
XXXP CUSTOM CONFIGURATION
NO SCREENS HIDDEN TRACK

ORDER NO.:

ITEM NO.:

REQUIRED DEALER INFO.

A(DAYLIGHT WIDTH)

B(NET FRAME HEIGHT)

CALCULATED VALUES (FLEETWOOD SUPPLIED)

C(POCKET WIDTH)

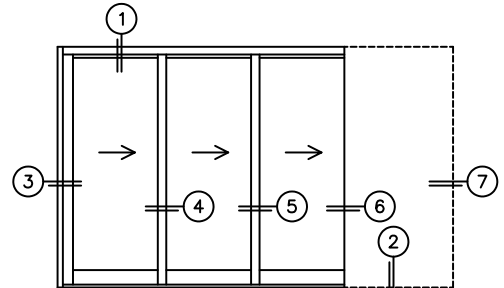
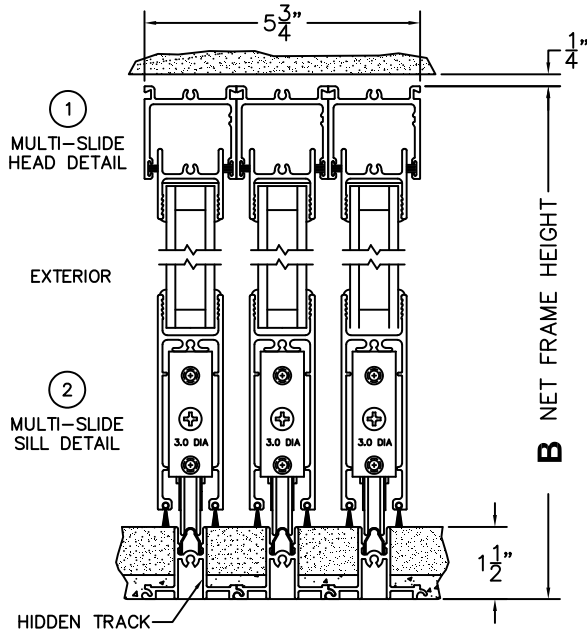
D(NET FRAME WIDTH)

NOTES:



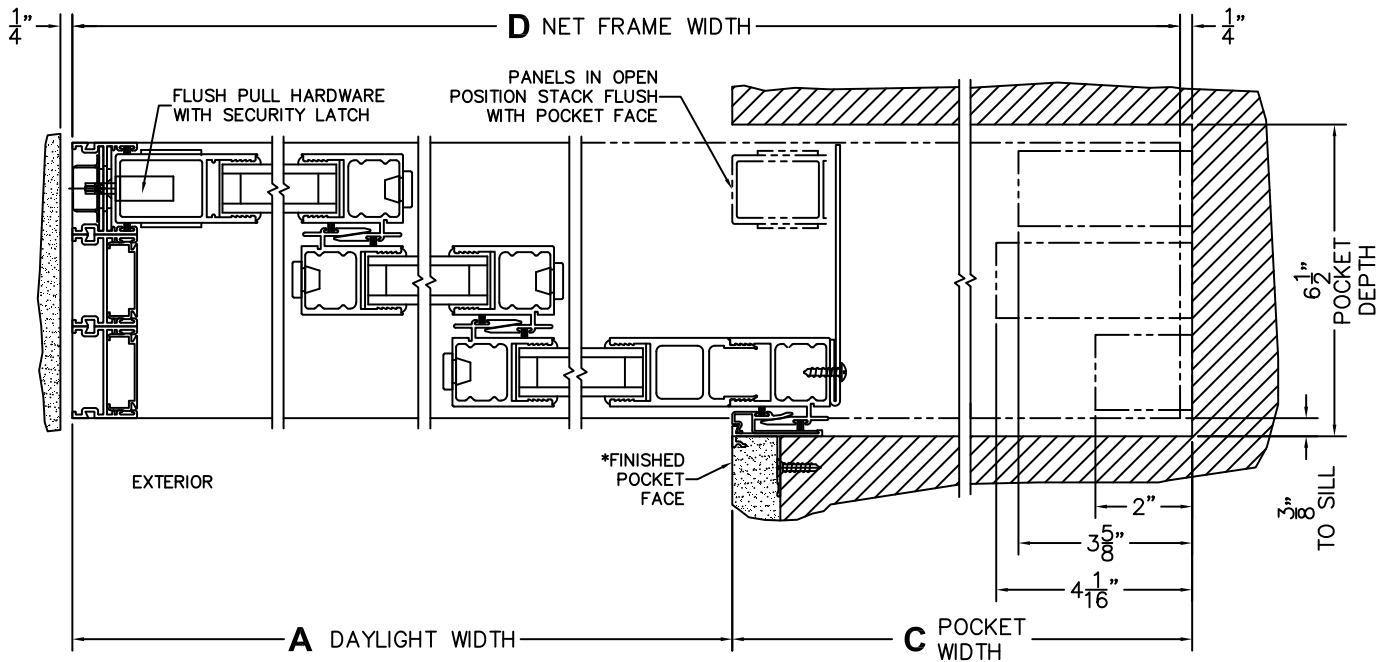
(USE RULER TO SCALE DIMENSIONS IN INCHES)

SCALE: 1/4"



XXXP DOOR SHOWN

- ③
LOCK JAMB
- ④
INTERLOCKERS
- ⑤
INTERLOCKERS
- ⑥
POCKET INTERLOCKER
- ⑦
POCKET JAMB



*CAUTION: WHEN CONSTRUCTING POCKET
NOTE THAT DAYLIGHT WIDTH DOES NOT
INCLUDE 1" SET BACK FOR POST INTERLOCKER.