

FLEETWOOD
WINDOWS & DOORS
FleetwoodUSA.com

NORWOOD 3050
XXXIXX CUSTOM CONFIGURATION
NO SCREENS

ORDER NO.:

ITEM NO.:

REQUIRED DEALER INFO.

A(NET FRAME WIDTH)

B(NET FRAME HEIGHT)

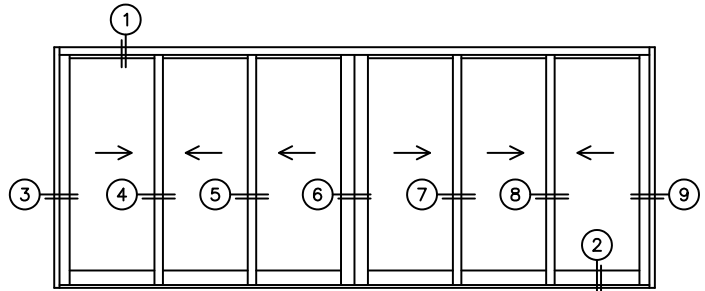
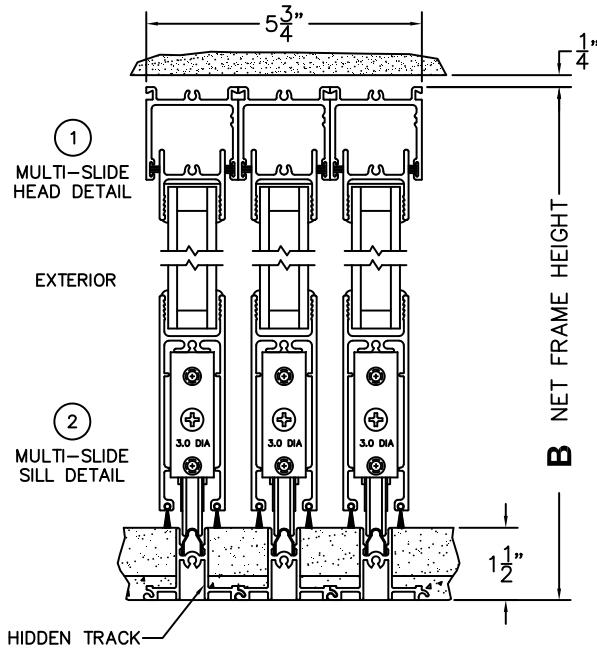
SILL PAN HEIGHT(INTERIOR LEG)
(3/4", 1-1/16", 1-7/16" OR 1-7/8")

NOTES:



(USE RULER TO SCALE DIMENSIONS IN INCHES)

SCALE: 1/4



3 LOCK JAMB 4 INTERLOCKERS 5 INTERLOCKERS 6 MEETING STILES 7 INTERLOCKERS 8 INTERLOCKERS 9 LOCK JAMB

C-PULL HARDWARE WITH THUMB TURN AND SECURITY LATCH

