



FLEETWOOD
WINDOWS & DOORS
FleetwoodUSA.com

NORWOOD 3050

**XXP STANDARD CONFIGURATION
WITH SCREENS HIDDEN TRACK**

ORDER NO.:

ITEM NO.:

REQUIRED DEALER INFO.

A(DAYLIGHT WIDTH)

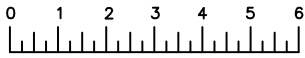
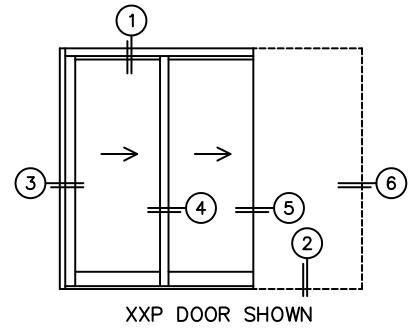
B(NET FRAME HEIGHT)

CALCULATED VALUES (FLEETWOOD SUPPLIED)

C(POCKET WIDTH)

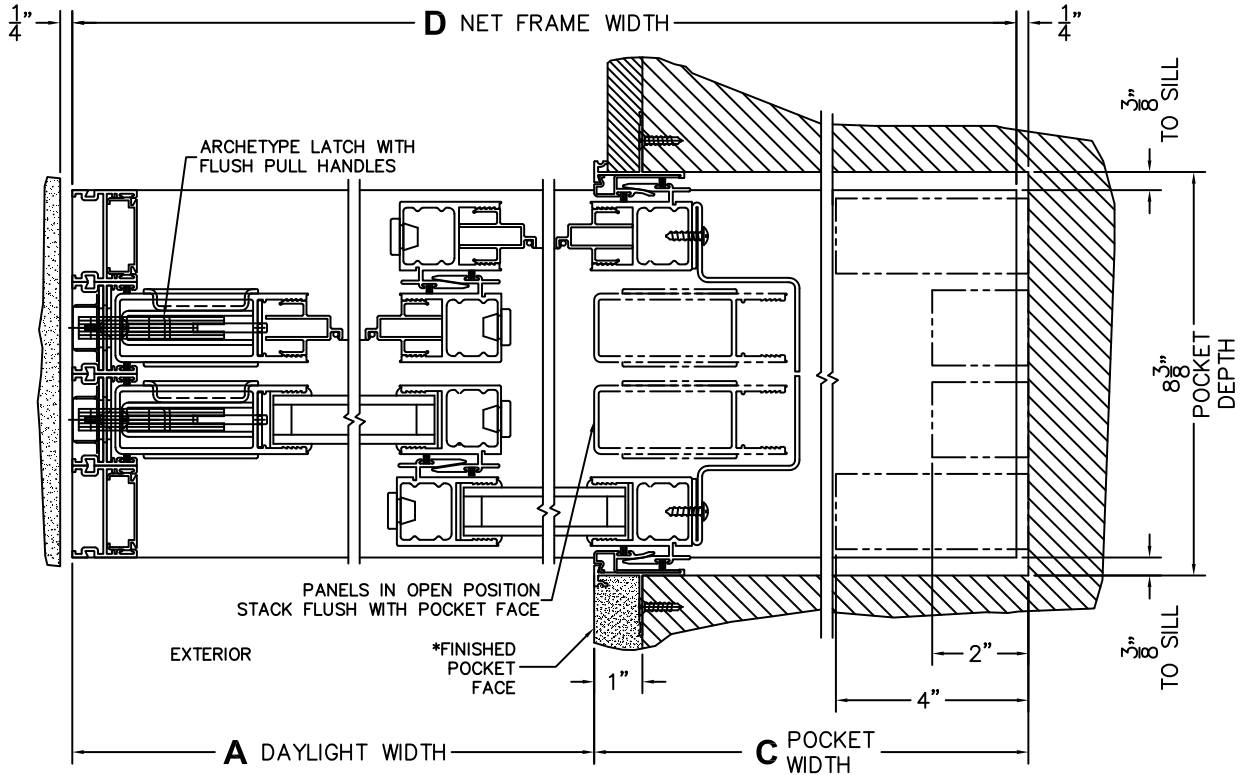
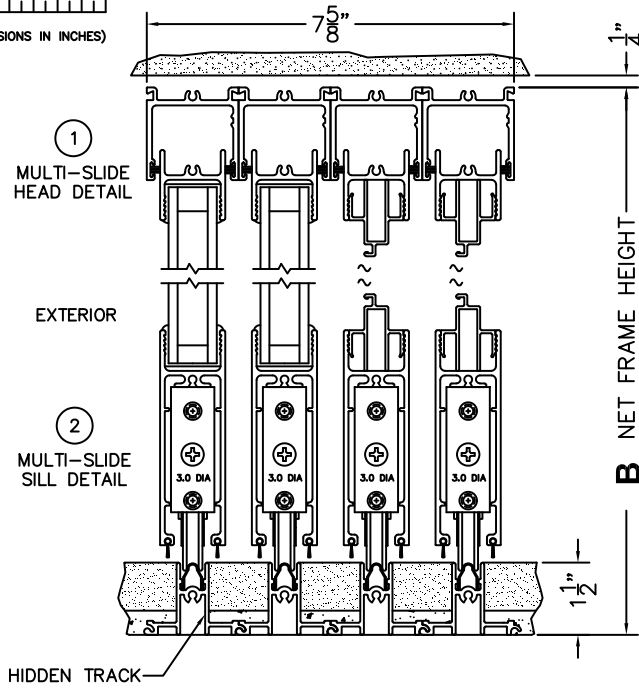
D(NET FRAME WIDTH)

NOTES:



(USE RULER TO SCALE DIMENSIONS IN INCHES)

SCALE: 1/4



*CAUTION: WHEN CONSTRUCTING POCKET NOTE THAT DAYLIGHT WIDTH DOES NOT INCLUDE 1" SET BACK FOR POST INTERLOCKER.