

**FLEETWOOD**  
WINDOWS & DOORS  
FleetwoodUSA.com

# NORWOOD 3050

XXP CUSTOM CONFIGURATION  
HIDDEN TRACK NO SCREENS

ORDER NO.:

ITEM NO.:

SCALE: 1/4

REQUIRED DEALER INFO.

**DOOR COLLECTOR B.O.M.**

FW PART NO.	QTY.
1063-1	1
1064-2	1
SCREW SIZES / LENGTHS	
#4-40 X 5/16"	2
#10-32 X 1-1/8"	2

**A**(DAYLIGHT WIDTH)

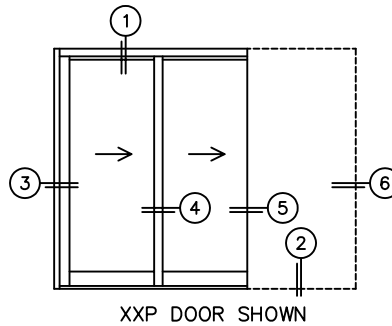
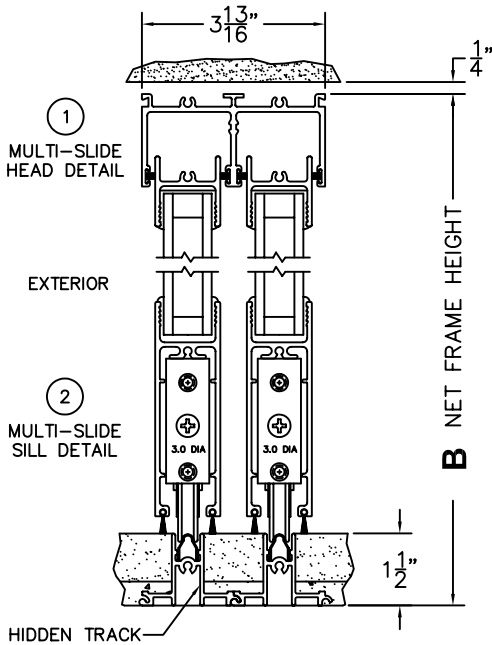
**B**(NET FRAME HEIGHT)

CALCULATED VALUES (FLEETWOOD SUPPLIED)

**C**(POCKET WIDTH)

**D**(NET FRAME WIDTH)

NOTES:

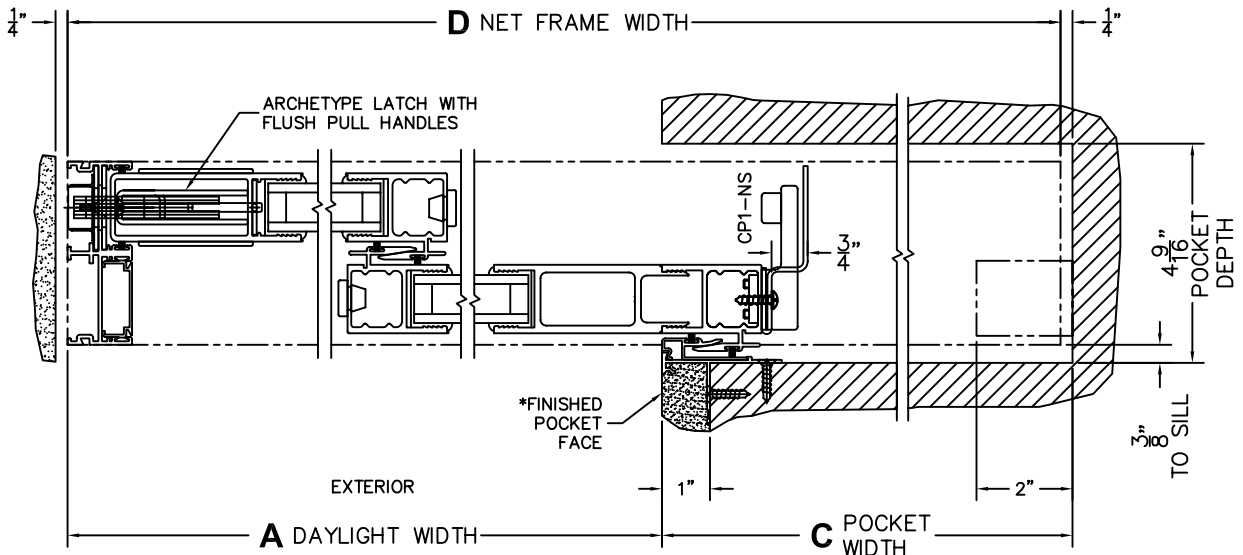


3 LOCK JAMB

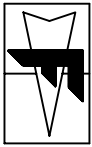
4 INTERLOCKERS

5 POCKET INTERLOCKERS

6 POCKET JAMB



\*CAUTION: WHEN CONSTRUCTING POCKET NOTE THAT DAYLIGHT WIDTH DOES NOT INCLUDE 1" SET BACK FOR POST INTERLOCKER.



**FLEETWOOD**  
 WINDOWS & DOORS  
 FleetwoodUSA.com

**NORWOOD 3050**  
 XXP CUSTOM CONFIGURATION  
 HIDDEN TRACK NO SCREENS

ORDER NO.:

ITEM NO.:

SCALE: 1/4

POCKET VIEW: PANELS IN OPEN POSITION

