

FLEETWOOD
WINDOWS & DOORS
FleetwoodUSA.com

NORWOOD 3050
XXO STANDARD CONFIGURATION
HIDDEN TRACK WITH SCREENS

ORDER NO.:

ITEM NO.:

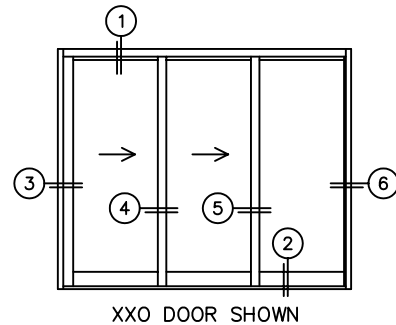
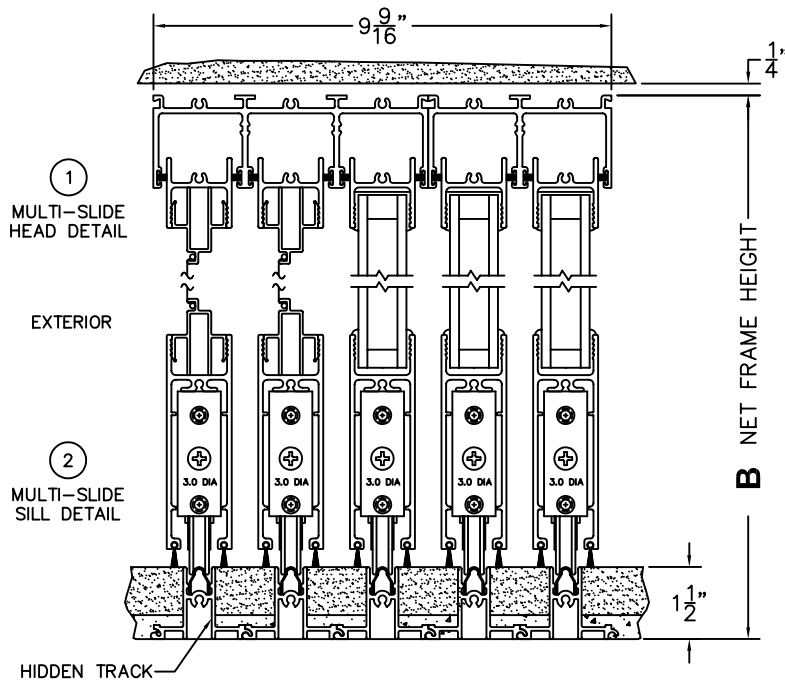
SCALE: 1/4

REQUIRED DEALER INFO.

A(NET FRAME WIDTH)

B(NET FRAME HEIGHT)

NOTES:



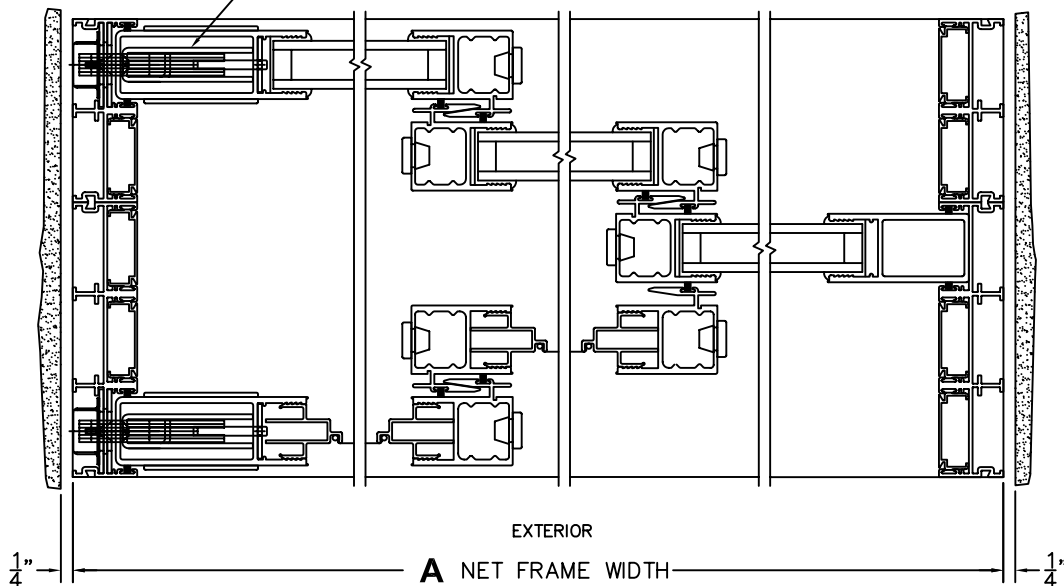
3
LOCK JAMB

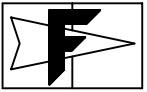
4
INTERLOCKERS

5
INTERLOCKERS

6
FIXED JAMB

ARCHETYPE LATCH WITH FLUSH PULL HANDLES





FLEETWOOD
WINDOWS & DOORS
FleetwoodUSA.com

NORWOOD 3050

XXO STANDARD CONFIGURATION
HIDDEN TRACK WITH SCREENS

ORDER NO.:

ITEM NO.:

SCALE: 1/4

DOOR SHOWN IN OPEN POSITION

