

**FLEETWOOD**  
WINDOWS & DOORS  
FleetwoodUSA.com

**NORWOOD 3050**  
XXO STANDARD CONFIGURATION  
HIDDEN TRACK NO SCREENS

ORDER NO.:

ITEM NO.:

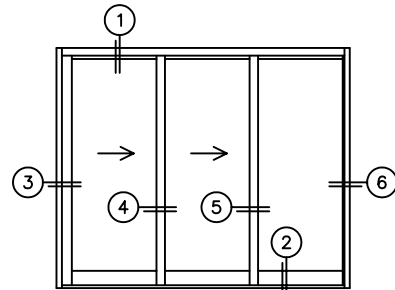
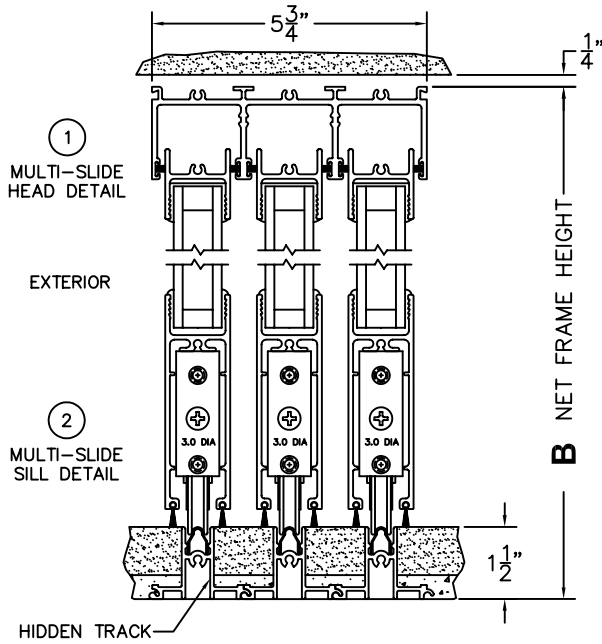
SCALE: 1/4

REQUIRED DEALER INFO.

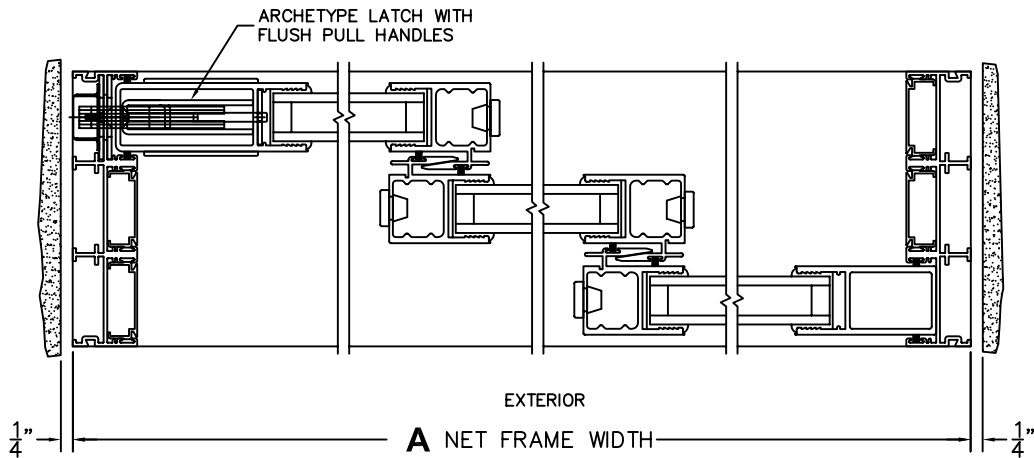
**A**(NET FRAME WIDTH)

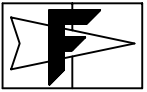
**B**(NET FRAME HEIGHT)

NOTES:



③ LOCK JAMB      ④ INTERLOCKERS      ⑤ INTERLOCKERS      ⑥ FIXED JAMB





**FLEETWOOD**  
WINDOWS & DOORS  
FleetwoodUSA.com

**NORWOOD 3050**

XXO STANDARD CONFIGURATION  
HIDDEN TRACK NO SCREENS

ORDER NO.:

ITEM NO.:

SCALE: 1/4

DOOR SHOWN IN OPEN POSITION

