

**NORWOOD 3050**  
XXIXX STANDARD CONFIGURATION  
WITH SCREENS

ORDER NO.:

ITEM NO.:

REQUIRED DEALER INFO.

**A** (NET FRAME WIDTH)

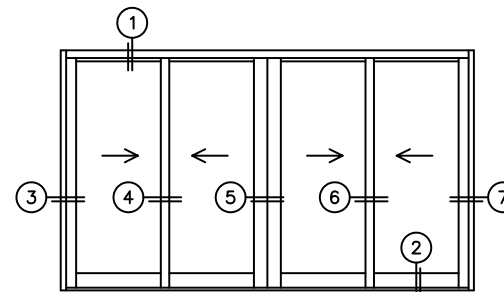
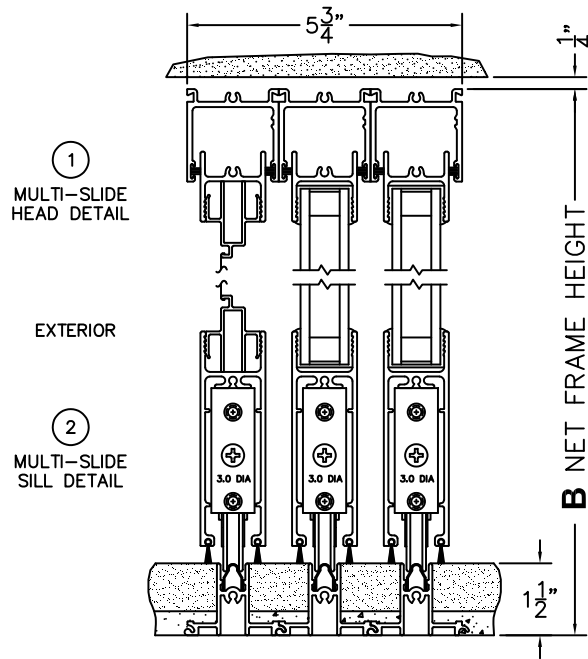
**B** (NET FRAME HEIGHT)

NOTES:



(USE RULER TO SCALE DIMENSIONS IN INCHES)

SCALE: 1/4



XXIXX DOOR SHOWN

③ LOCK JAMB

④ INTERLOCKERS

⑤ MEETING STILES

⑥ INTERLOCKERS

⑦ LOCK JAMB

FLUSH PULL HARDWARE WITH SECURITY LATCH

