



FLEETWOOD
WINDOWS & DOORS
FleetwoodUSA.com

NORWOOD 3050
XXIXP STANDARD CONFIGURATION
WITH SCREENS HIDDEN TRACK

ORDER NO.:

ITEM NO.:

REQUIRED DEALER INFO.

A (DAYLIGHT WIDTH)

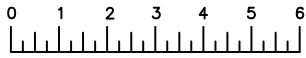
B (NET FRAME HEIGHT)

CALCULATED VALUES (FLEETWOOD SUPPLIED)

C (POCKET WIDTH)

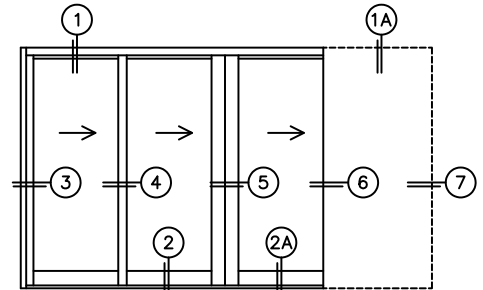
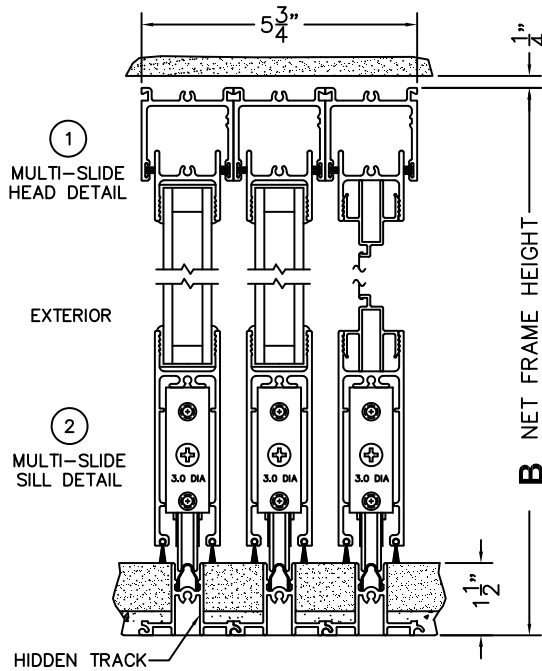
D (NET FRAME WIDTH)

NOTES:

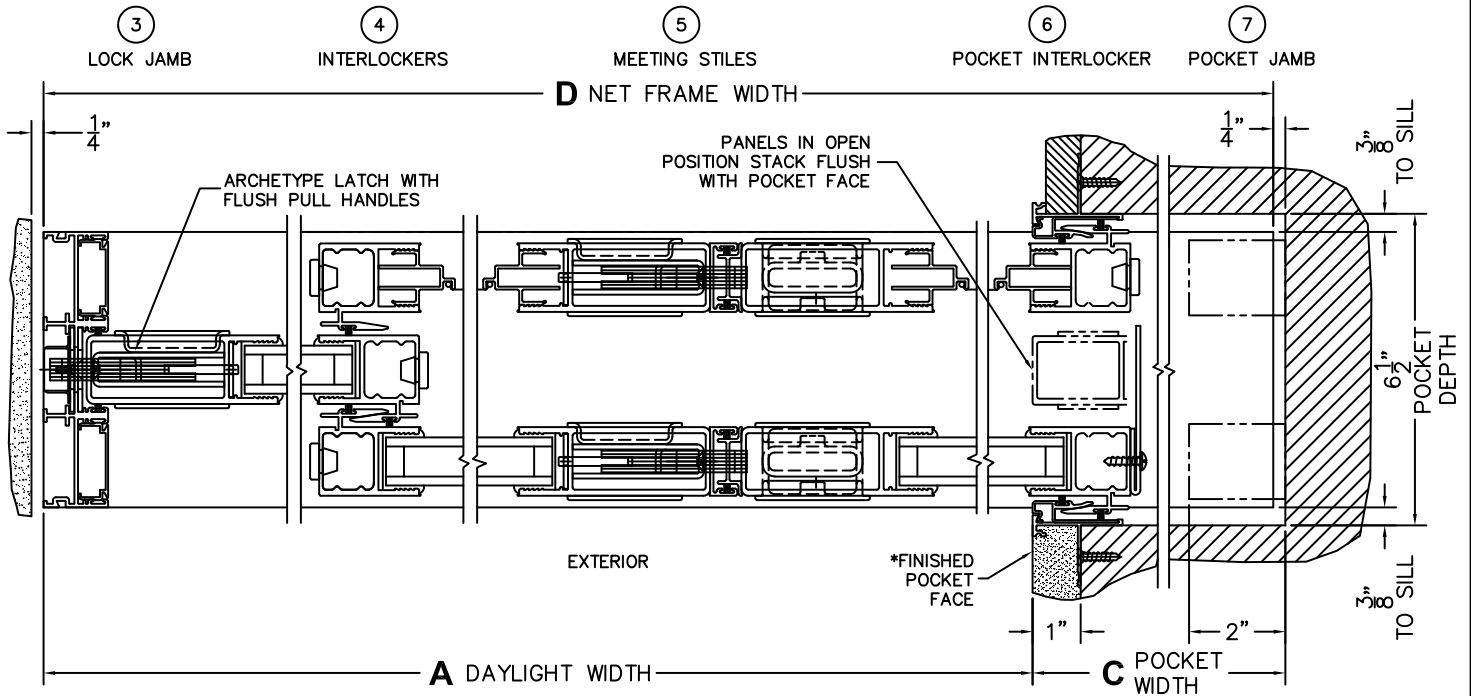


(USE RULER TO SCALE DIMENSIONS IN INCHES)

SCALE: 1/4



XXIXP DOOR SHOWN



*CAUTION: WHEN CONSTRUCTING POCKET NOTE THAT DAYLIGHT WIDTH DOES NOT INCLUDE 1" S T BACK FOR POST INTERLOCKER.