



ORDER NO.:

ITEM NO.:

SCALE: 1/4

REQUIRED DEALER INFO.

A (DAYLIGHT WIDTH)

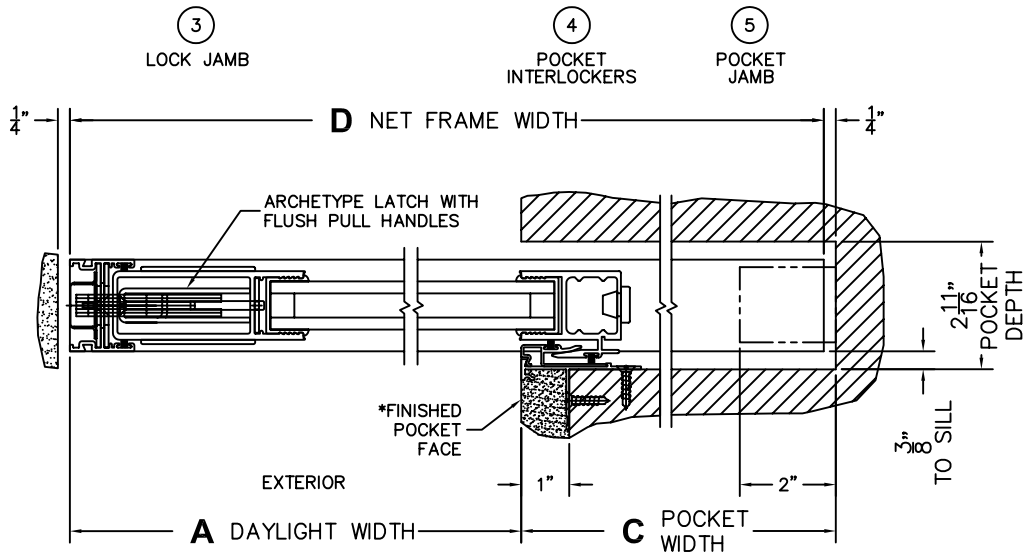
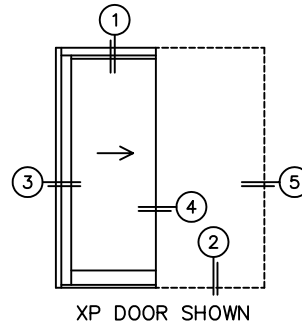
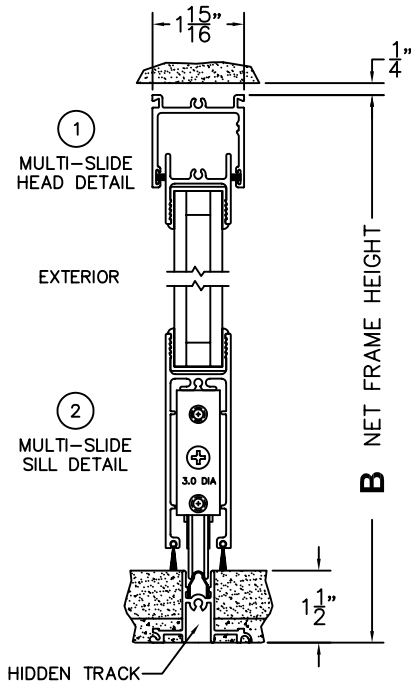
B (NET FRAME HEIGHT)

CALCULATED VALUES (FLEETWOOD SUPPLIED)

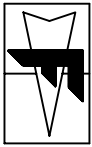
C (POCKET WIDTH)

D (NET FRAME WIDTH)

NOTES:



*CAUTION: WHEN CONSTRUCTING POCKET NOTE THAT DAYLIGHT WIDTH DOES NOT INCLUDE 1" SET BACK FOR POST INTERLOCKER.



FLEETWOOD
 WINDOWS & DOORS
 FleetwoodUSA.com

NORWOOD 3050
 XP STANDARD CONFIGURATION
 HIDDEN TRACK NO SCREENS

ORDER NO.:

ITEM NO.:

SCALE: 1/4

POCKET VIEW: PANEL IN OPEN POSITION

