

**FLEETWOOD**  
WINDOWS & DOORS  
FleetwoodUSA.com

**NORWOOD 3050**  
XO STANDARD CONFIGURATION  
HIDDEN TRACK WITH SCREENS

ORDER NO.:

ITEM NO.:

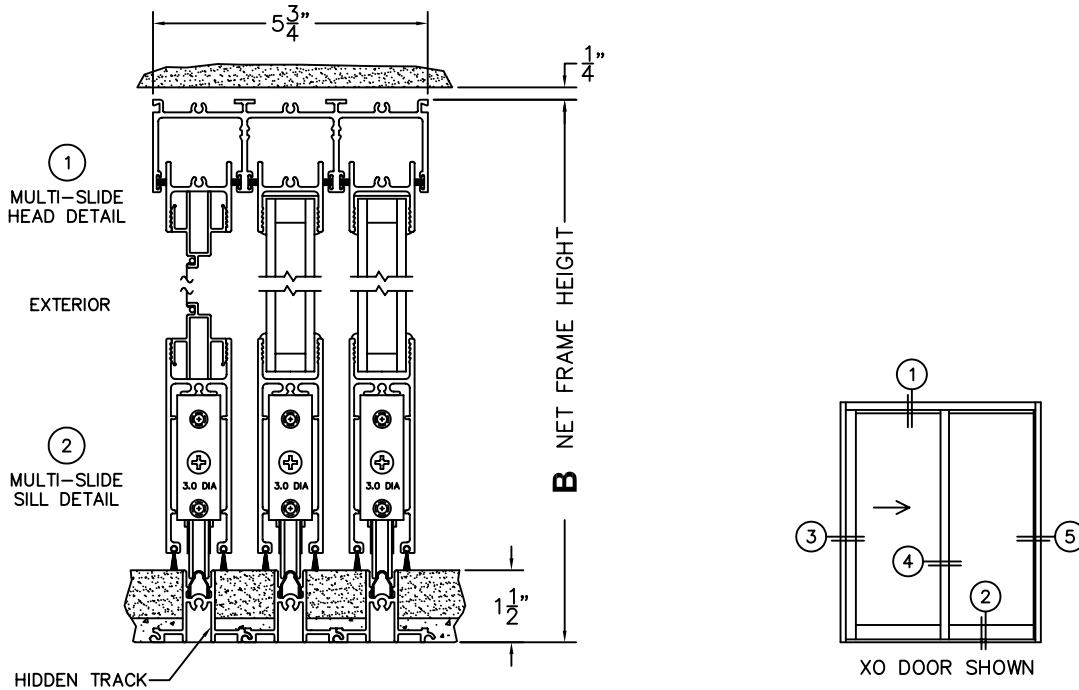
SCALE: 1/4

REQUIRED DEALER INFO.

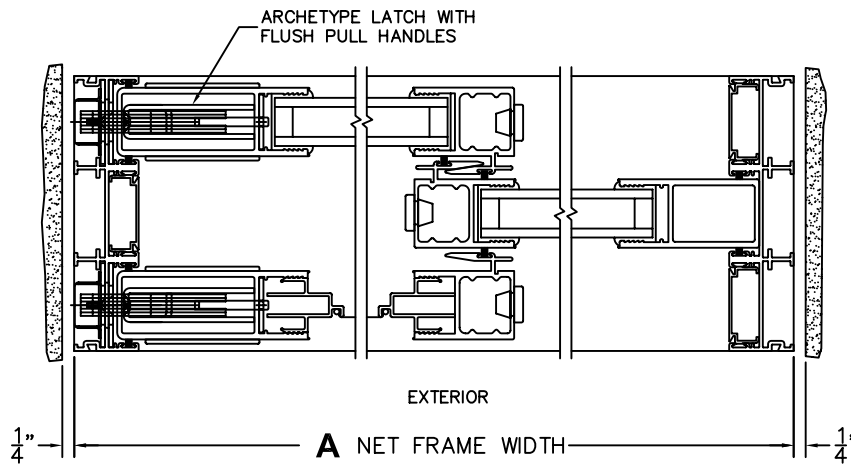
**A** (NET FRAME WIDTH)

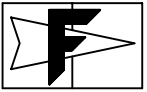
**B** (NET FRAME HEIGHT)

NOTES:



③ LOCK JAMB      ④ INTERLOCKERS      ⑤ FIXED JAMB





**FLEETWOOD**  
WINDOWS & DOORS  
FleetwoodUSA.com

**NORWOOD 3050**

XO STANDARD CONFIGURATION  
HIDDEN TRACK WITH SCREENS

ORDER NO.:

ITEM NO.:

SCALE: 1/4

DOOR SHOWN IN OPEN POSITION

