

FLEETWOOD
WINDOWS & DOORS
FleetwoodUSA.com

NORWOOD 3050 M/S
PXXXX CUSTOM CONFIGURATION
NO SCREENS HIDDEN TRACK

ORDER NO.:

ITEM NO.:

REQUIRED DEALER INFO.

A(DAYLIGHT WIDTH)

B(NET FRAME HEIGHT)

CALCULATED VALUES (FLEETWOOD SUPPLIED)

C(POCKET WIDTH)

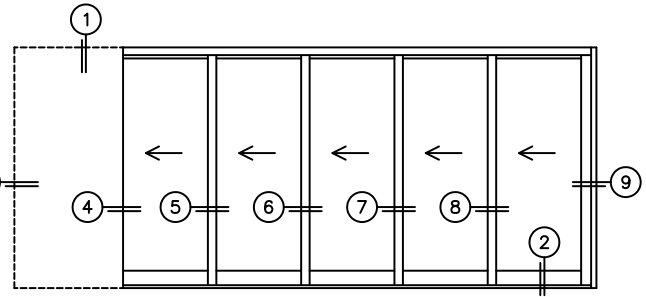
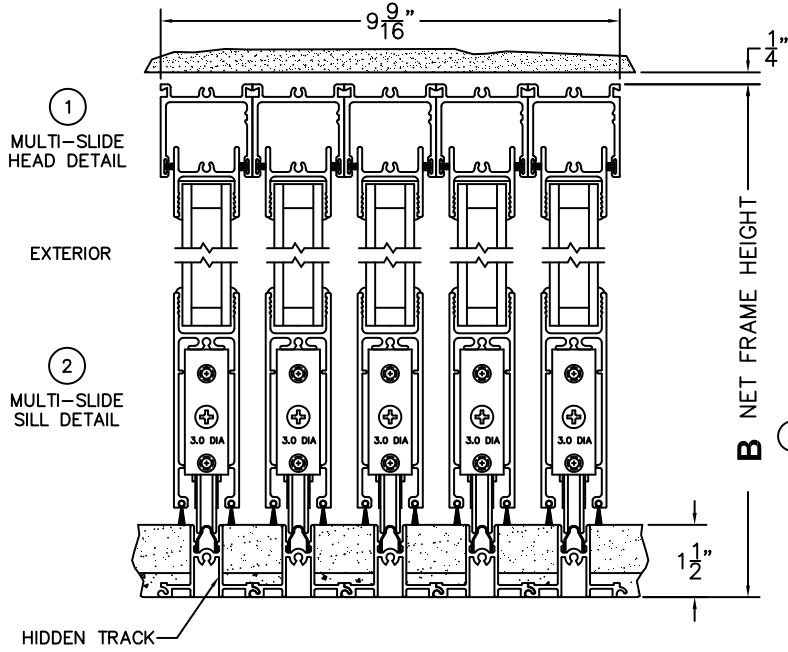
D(NET FRAME WIDTH)

NOTES:



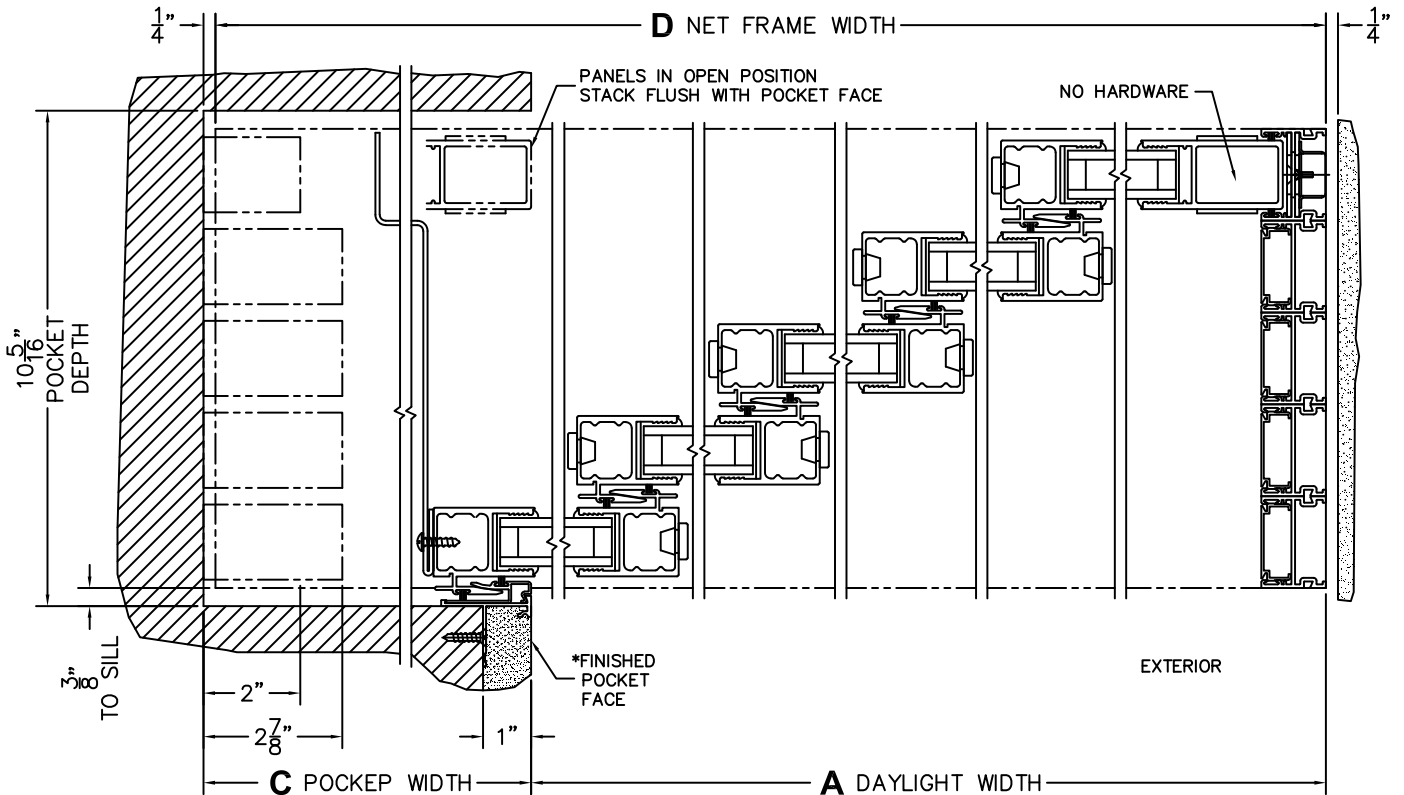
(USE RULER TO SCALE DIMENSIONS IN INCHES)

SCALE: 1/4



PXXXX DOOR SHOWN

- (3)
POCKET
JAMB
- (4)
POCKET
INTERLOCKER
- (5)
INTERLOCKERS
- (6)
INTERLOCKERS
- (7)
INTERLOCKERS
- (8)
INTERLOCKERS
- (9)
LOCK
JAMB



*CAUTION: WHEN CONSTRUCTING POCKET NOTE THAT DAYLIGHT WIDTH DOES NOT INCLUDE 1" SET BACK FOR POST INTERLOCKER.