

FLEETWOOD
WINDOWS & DOORS
FleetwoodUSA.com

NORWOOD 3050 M/S
PXXXXIXXXXP CUSTOM CONFIGURATION
HIDDEN TRACK NO SCREENS

ORDER NO.:

ITEM NO.:

SCALE: 1/4

REQUIRED DEALER INFO.

A(DAYLIGHT WIDTH)

B(NET FRAME HEIGHT)

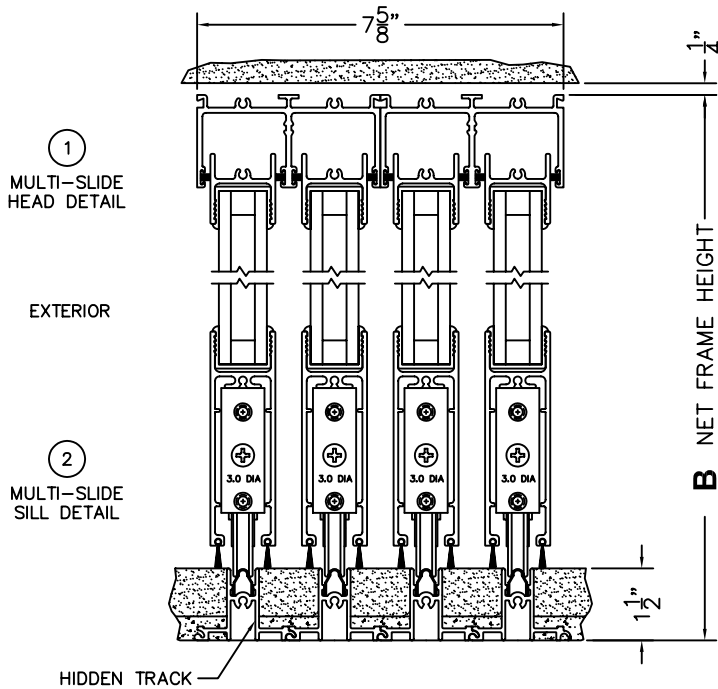
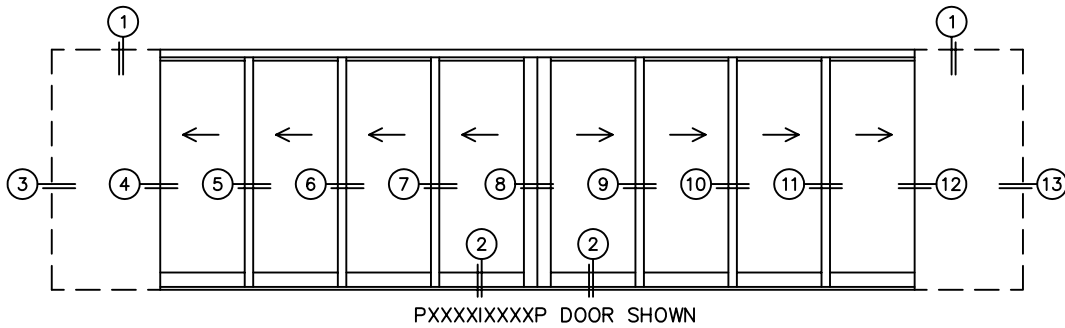
CALCULATED VALUES (FLEETWOOD SUPPLIED)

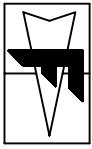
C(POCKET WIDTH)

D(NET FRAME WIDTH)

NOTES:

DOOR COLLECTOR B.O.M.	
FW PART NO.	QTY.
1063-1	6
1064-2	6
SCREW SIZES / LENGTHS	
#4-40 X 5/16"	12
#10-32 X 1-1/8"	12





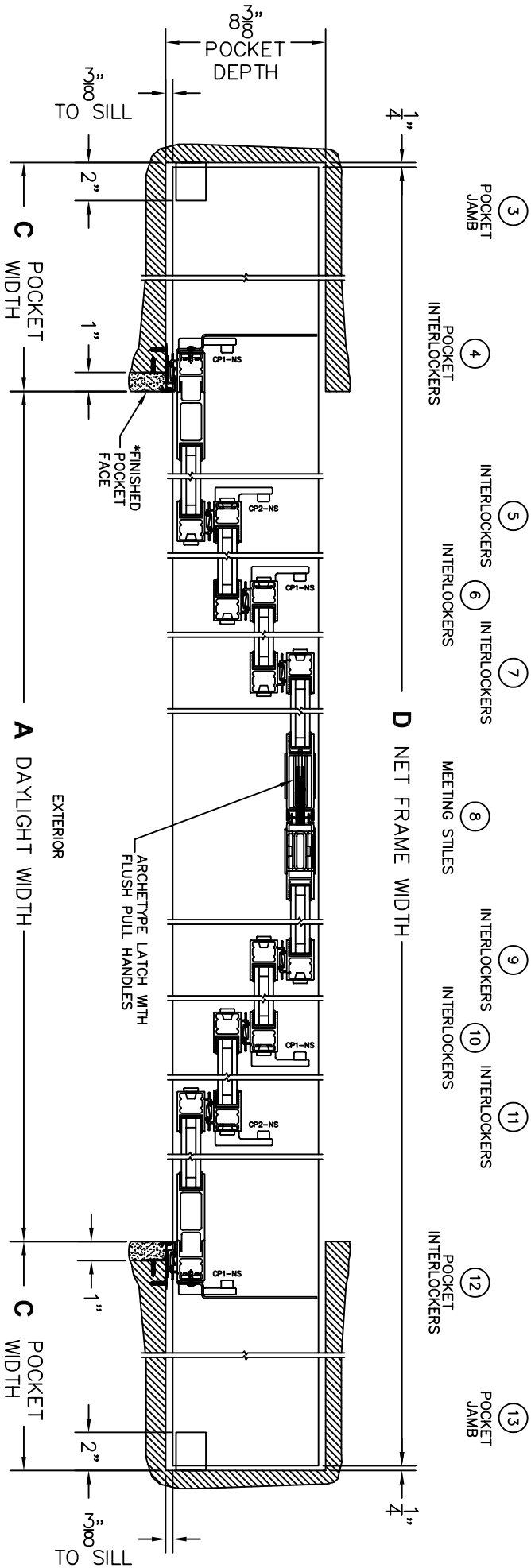
FLEETWOOD
WINDOWS & DOORS
FleetwoodUSA.com

NORWOOD 3050 M/S
PXXXXXXXXP CUSTOM CONFIGURATION
HIDDEN TRACK NO SCREENS

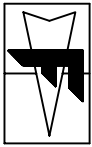
ORDER NO.:

ITEM NO.:

SCALE: 1/8



*CAUTION: WHEN CONSTRUCTING POCKET NOTE THAT DAYLIGHT WIDTH DOES NOT INCLUDE 1" SET BACK FOR POST INTERLOCKER.



FLEETWOOD
 WINDOWS & DOORS
 FleetwoodUSA.com

NORWOOD 3050 M/S
 PXXXXXXXP CUSTOM CONFIGURATION
 HIDDEN TRACK NO SCREENS

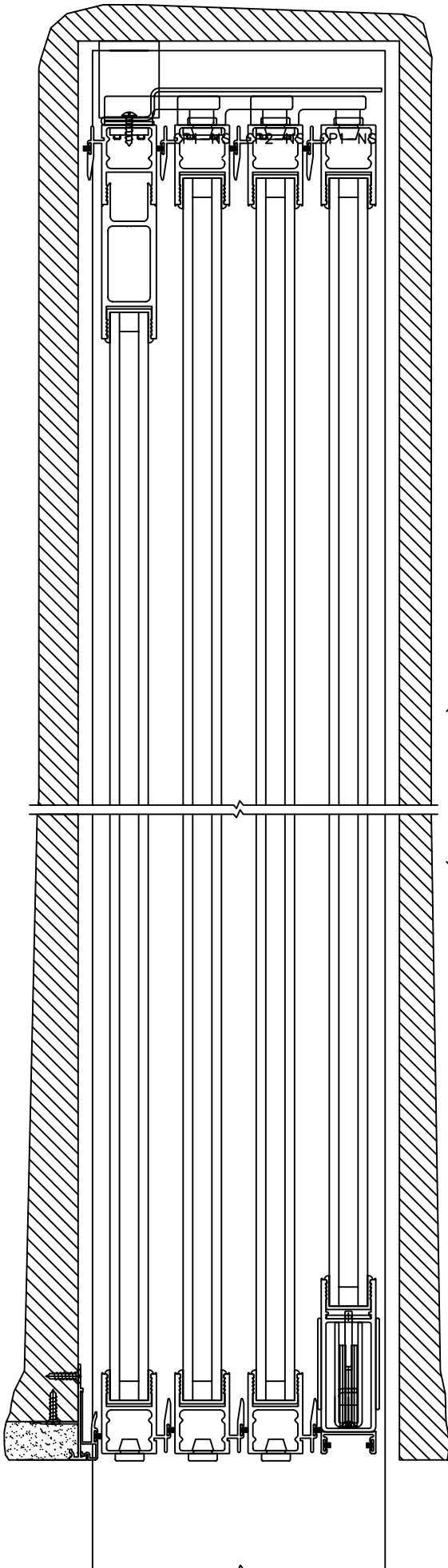
ORDER NO.:

ITEM NO.:

SCALE: 1/4

POCKET VIEWS: PANELS IN OPEN POSITION

(LEFT SIDE)



(RIGHT SIDE)

