

FLEETWOOD
WINDOWS & DOORS
FleetwoodUSA.com

NORWOOD 3050
PXXXX CUSTOM CONFIGURATION
HIDDEN TRACK WITH SCREENS

ORDER NO.:

ITEM NO.:

SCALE: 1/4

REQUIRED DEALER INFO.

A (DAYLIGHT WIDTH)

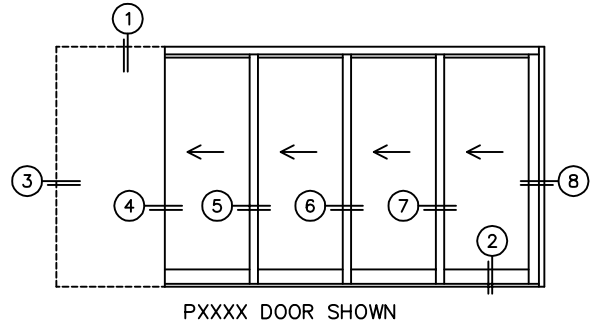
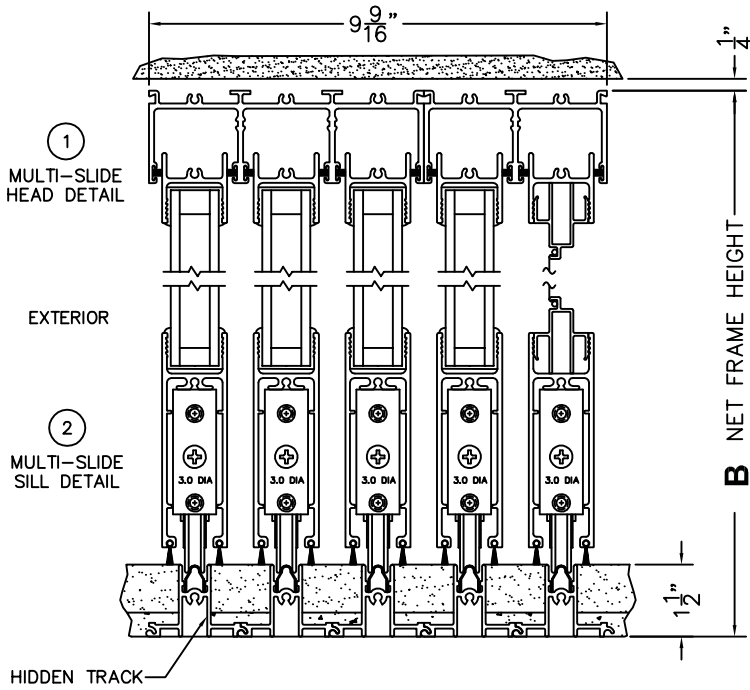
B (NET FRAME HEIGHT)

CALCULATED VALUES (FLEETWOOD SUPPLIED)

C (POCKET WIDTH)

D (NET FRAME WIDTH)

NOTES:



3 POCKET JAMB

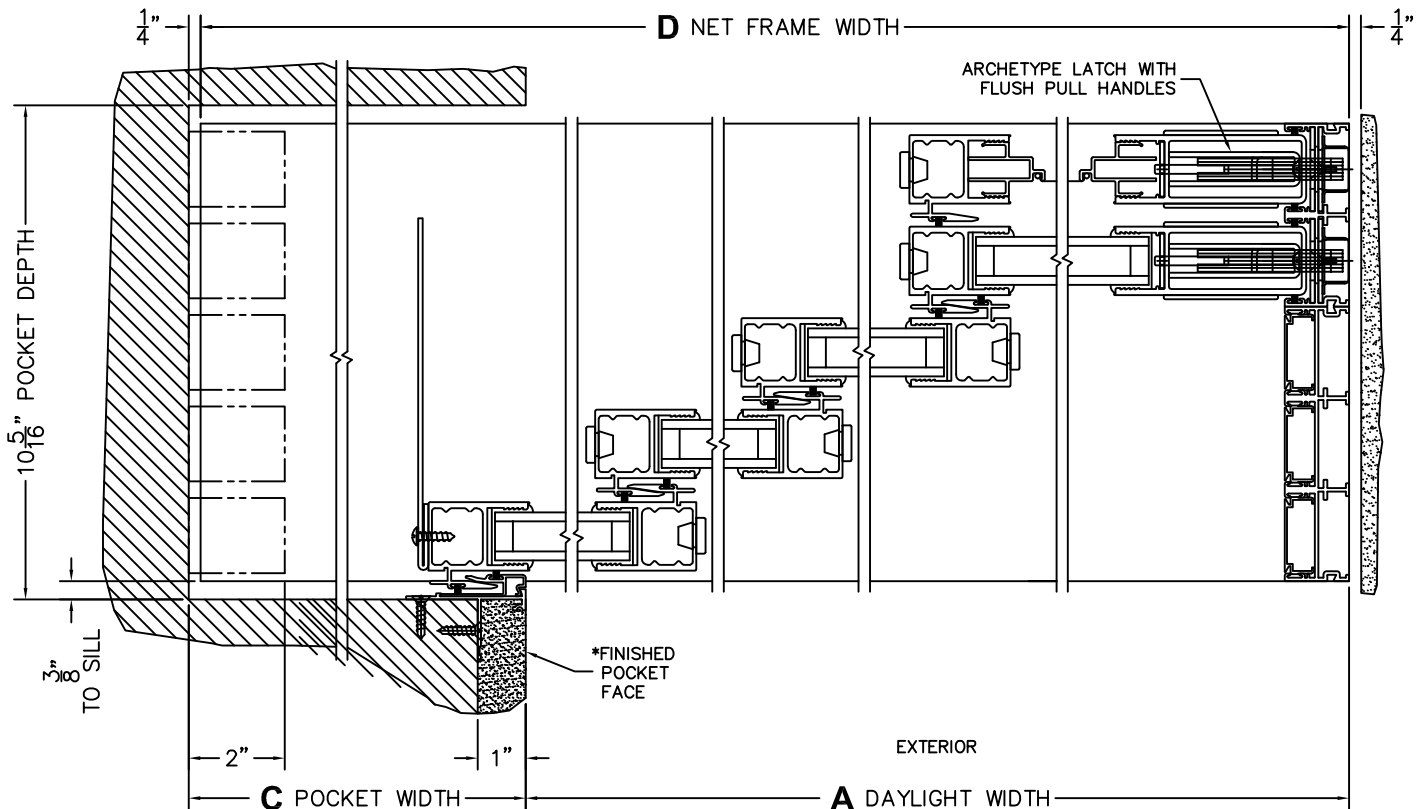
4 POCKET INTERLOCKER

5 INTERLOCKERS

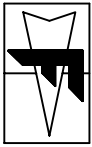
6 INTERLOCKERS

7 INTERLOCKERS

8 LOCK JAMB



*CAUTION: WHEN CONSTRUCTING POCKET NOTE THAT DAYLIGHT WIDTH DOES NOT INCLUDE 1" SET BACK FOR POST INTERLOCKER.



FLEETWOOD
 WINDOWS & DOORS
 FleetwoodUSA.com

NORWOOD 3050
 PXXXX CUSTOM CONFIGURATION
 HIDDEN TRACK WITH SCREENS

ORDER NO.:

ITEM NO.:

SCALE: 1/4

POCKET VIEW: PANELS IN OPEN POSITION

