

**FLEETWOOD**  
WINDOWS & DOORS  
FleetwoodUSA.com

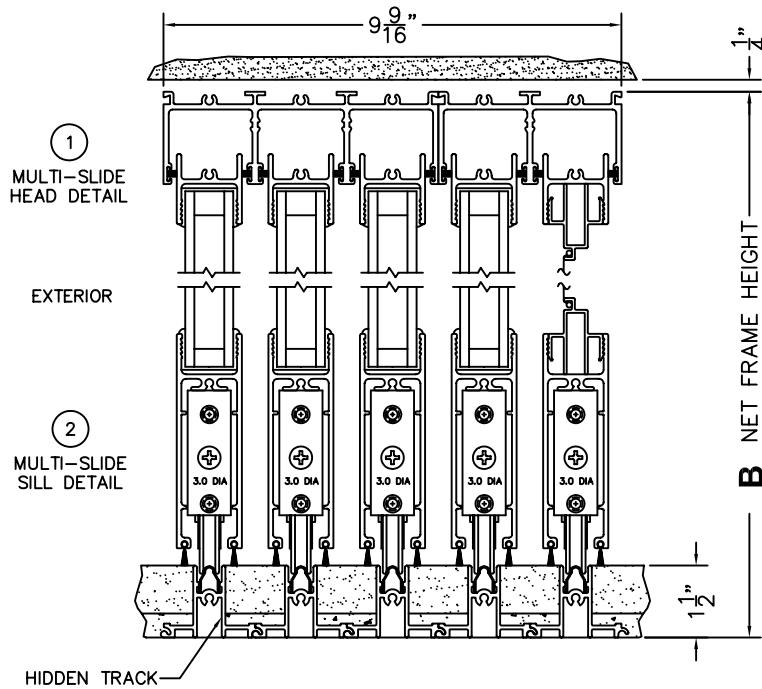
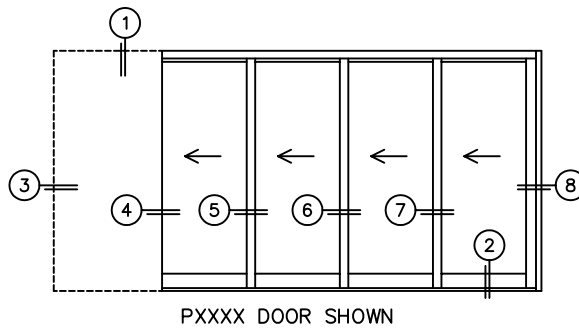
# NORWOOD 3050

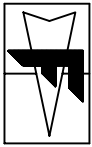
PXXXX CUSTOM CONFIGURATION  
HIDDEN TRACK WITH SCREENS

ORDER NO.:

ITEM NO.:

SCALE: 1/4





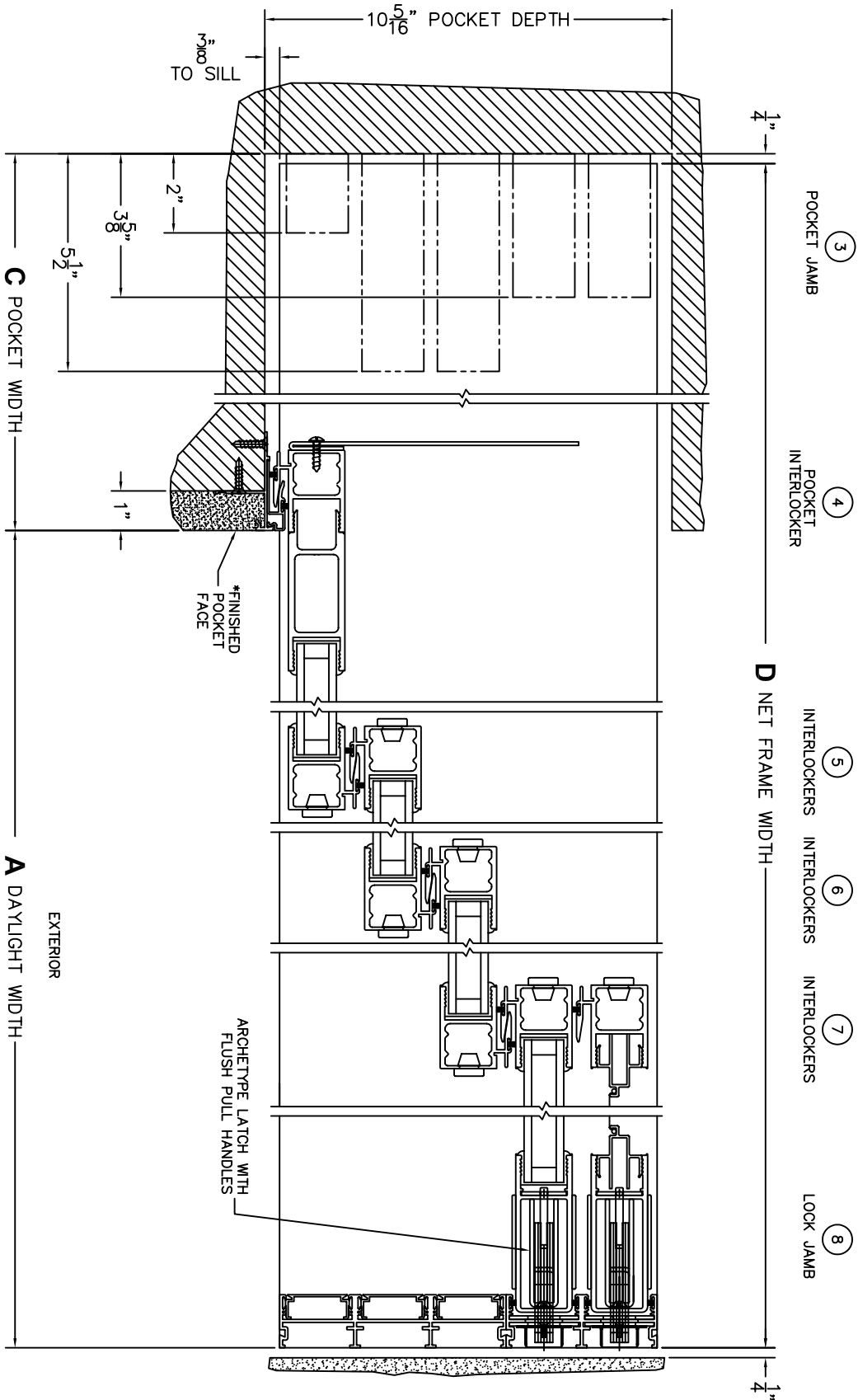
**FLEETWOOD**  
WINDOWS & DOORS  
FleetwoodUSA.com

**NORWOOD 3050**  
PXXXX CUSTOM CONFIGURATION  
HIDDEN TRACK WITH SCREENS

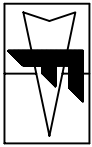
ORDER NO.:

ITEM NO.:

SCALE: 1/4



\*CAUTION: WHEN CONSTRUCTING POCKET NOTE THAT DAYLIGHT WIDTH DOES NOT INCLUDE 1" SET BACK FOR POST INTERLOCKER.



**FLEETWOOD**  
 WINDOWS & DOORS  
 FleetwoodUSA.com

**NORWOOD 3050**  
 PXXXX CUSTOM CONFIGURATION  
 HIDDEN TRACK WITH SCREENS

ORDER NO.:

ITEM NO.:

SCALE: 1/4

POCKET VIEW: PANELS IN OPEN POSITION

