

# FLEETWOOD

Windows & Doors

2485 Railroad Street, Corona, CA 92880  
(800) 736-7363 www.fleetwoodusa.com

# NORWOOD 3050 M/S

PXXXX STANDARD CONFIGURATION  
NO SCREENS HIDDEN TRACK

ORDER NO.:

ITEM NO.:

REQUIRED DEALER INFO.

**A**(DAYLIGHT WIDTH)

**B**(NET FRAME HEIGHT)

CALCULATED VALUES (FLEETWOOD SUPPLIED)

**C**(POCKET WIDTH)

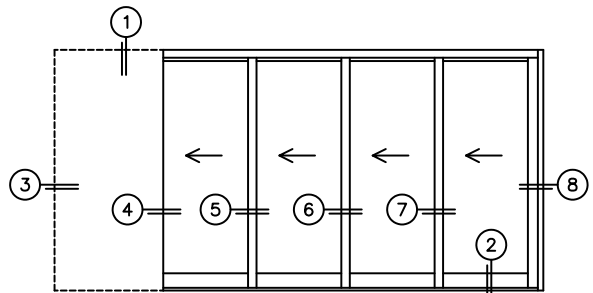
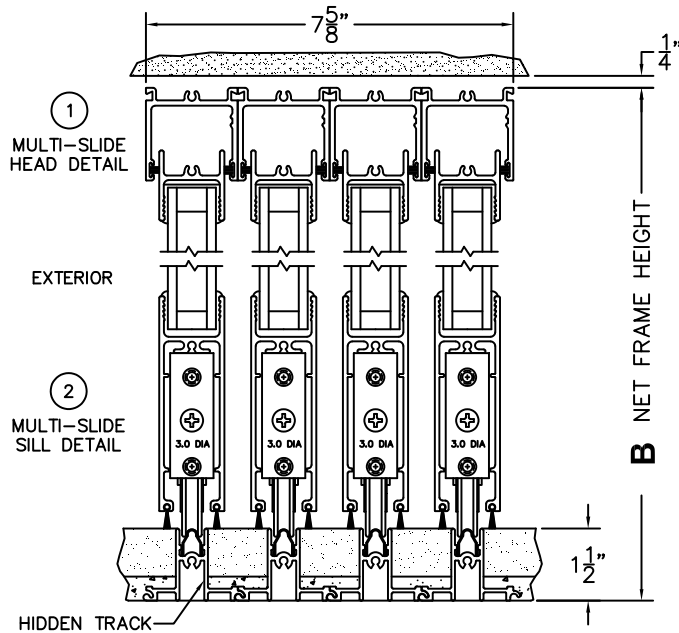
**D**(NET FRAME WIDTH)

NOTES:

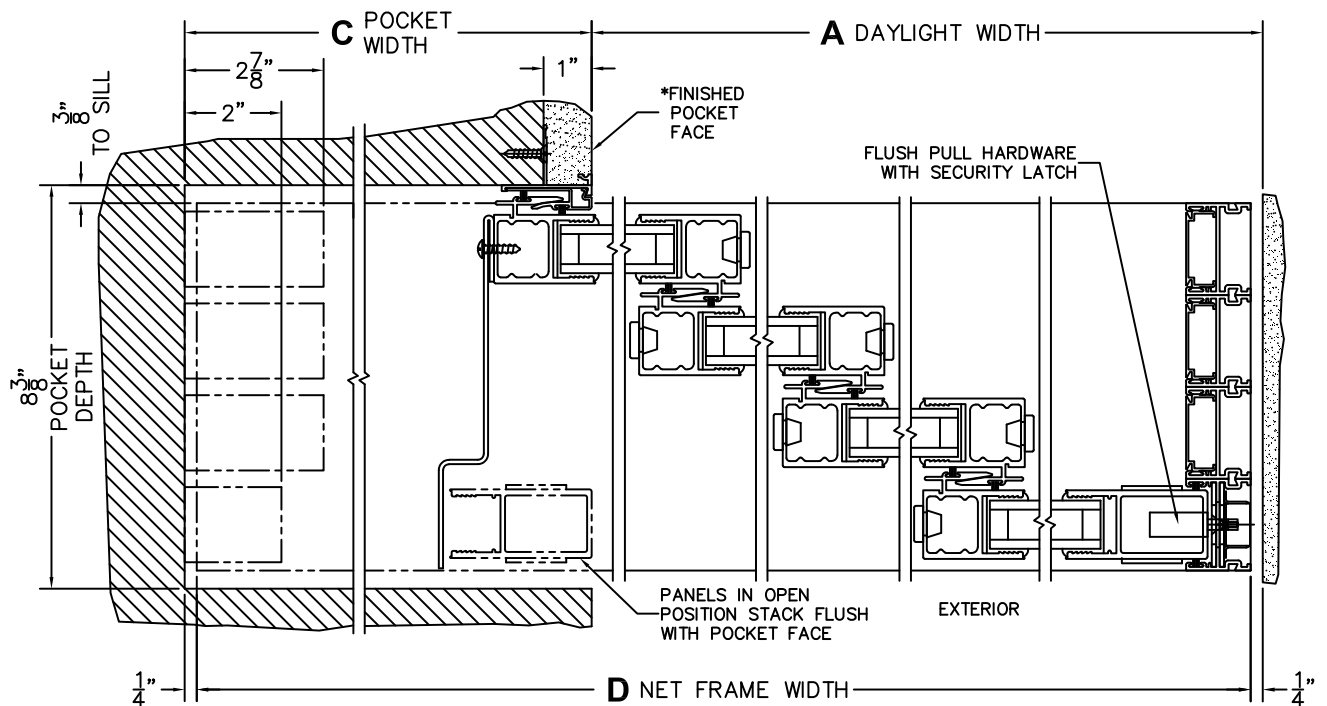


(USE RULER TO SCALE DIMENSIONS IN INCHES)

SCALE: 1/4"



③ POCKET JAMB      ④ POCKET INTERLOCKER      ⑤ INTERLOCKERS      ⑥ INTERLOCKERS      ⑦ INTERLOCKERS      ⑧ LOCK JAMB



\*CAUTION: WHEN CONSTRUCTING POCKET NOTE THAT DAYLIGHT WIDTH DOES NOT INCLUDE 1" SET BACK FOR POST INTERLOCKER.

NOTE: THIS DRAWING AND THE ACCOMPANYING "OPTIONS AND UPGRADES" ARE FOR CONCEPT ONLY! AT THE TIME OF ORDER WE WILL CUSTOMIZE THE DRAWINGS TO FIT THE FINAL CONFIGURATION. SEE DRAWINGS 3050-08 THRU 3050-09 FOR ADDITIONAL INFORMATION.