

FLEETWOOD

Windows & Doors

2485 Railroad Street, Corona, CA 92880
(800) 736-7363 www.fleetwoodusa.com

NORWOOD 3050

PXXXIXXXXP STANDARD CONFIGURATION

NO SCREENS

ORDER NO.:

ITEM NO.:

REQUIRED DEALER INFO.

A(DAYLIGHT WIDTH)

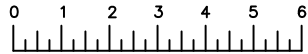
B(NET FRAME HEIGHT)

CALCULATED VALUES (FLEETWOOD SUPPLIED)

C(POCKET WIDTH)

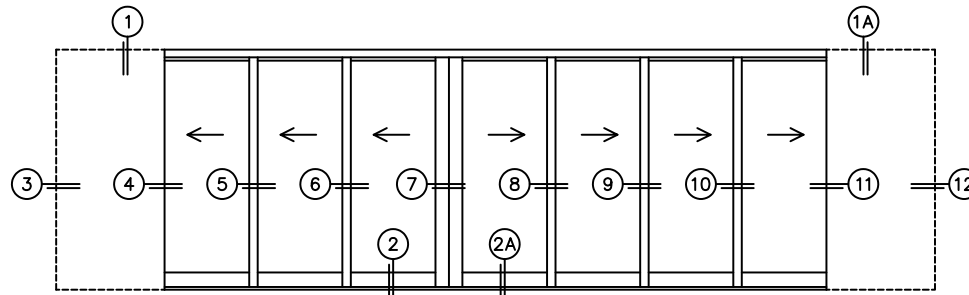
D(NET FRAME WIDTH)

NOTES:

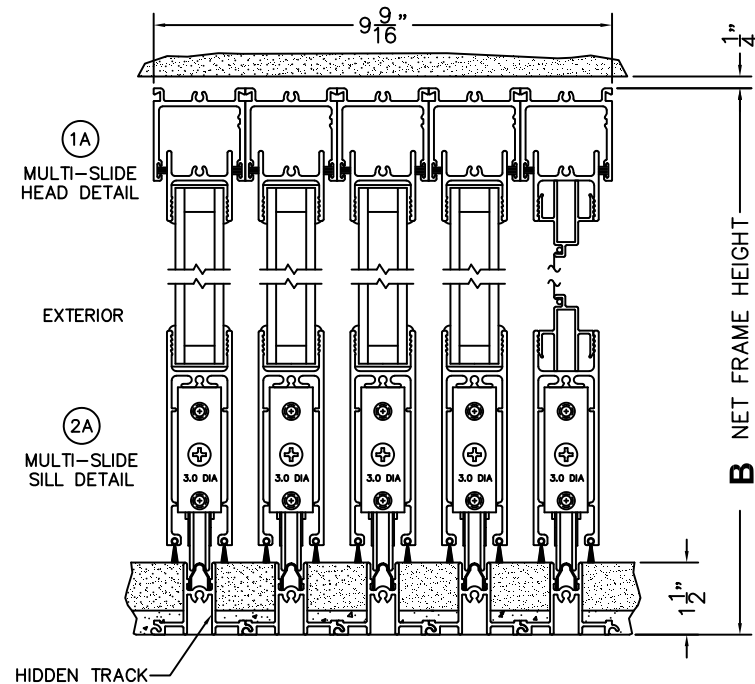
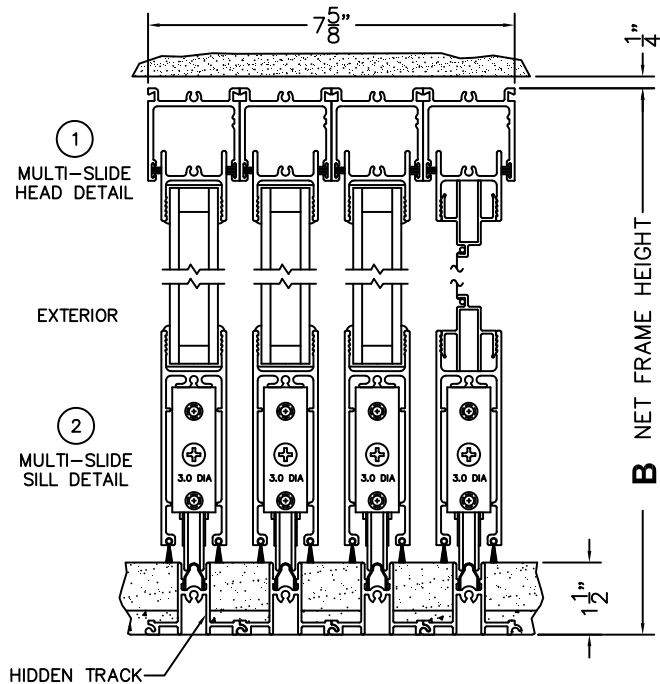


(USE RULER TO SCALE DIMENSIONS IN INCHES)

SCALE: 1/4



PXXXIXXXXP DOOR SHOWN



*CAUTION: WHEN CONSTRUCTING POCKET NOTE THAT DAYLIGHT WIDTH DOES NOT INCLUDE 1" SET BACK FOR POST INTERLOCKER.

NOTE: THIS DRAWING AND THE ACCOMPANYING "OPTIONS AND UPGRADES" ARE FOR CONCEPT ONLY! AT THE TIME OF ORDER WE WILL CUSTOMIZE THE DRAWINGS TO FIT THE FINAL CONFIGURATION. SEE DRAWINGS 3050-08 THRU 3050-09 FOR ADDITIONAL INFORMATION.