

FLEETWOOD
WINDOWS & DOORS
FleetwoodUSA.com

NORWOOD 3050 M/S
PXXXIXXP CUSTOM CONFIGURATION
HIDDEN TRACK WITH SCREENS

ORDER NO.:

ITEM NO.:

SCALE: 1/4

DOOR COLLECTOR B.O.M.

FW PART NO.	QTY.
1063-1	4
1064-2	4
SCREW SIZES / LENGTHS	
#4-40 X 5/16"	8
#10-32 X 1-1/8"	8

REQUIRED DEALER INFO.

A(DAYLIGHT WIDTH)

B(NET FRAME HEIGHT)

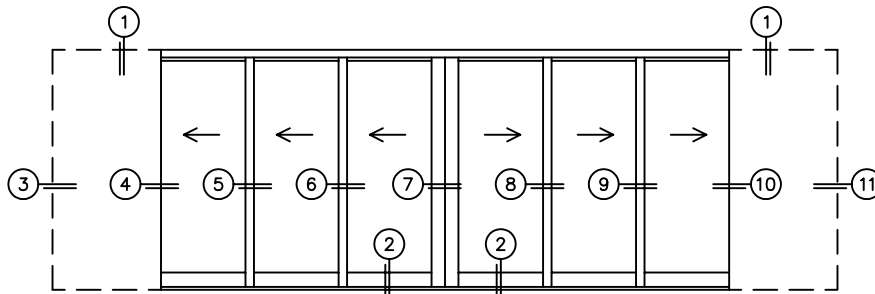
SILL PAN HEIGHT(INTERIOR LEG)
(3/4", 1-1/16", 1-7/16" OR 1-7/8")

CALCULATED VALUES (FLEETWOOD SUPPLIED)

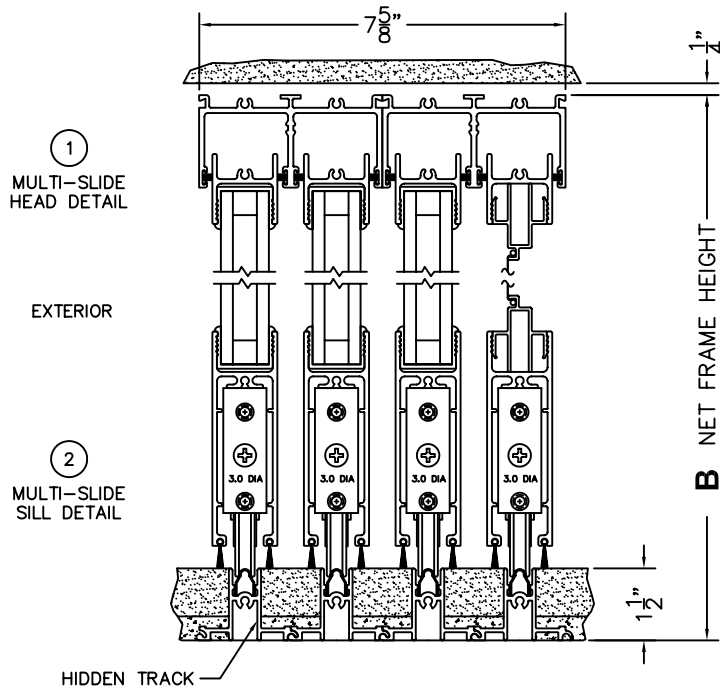
C(POCKET WIDTH)

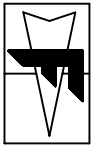
D(NET FRAME WIDTH)

NOTES:



PXXXIXXP DOOR SHOWN





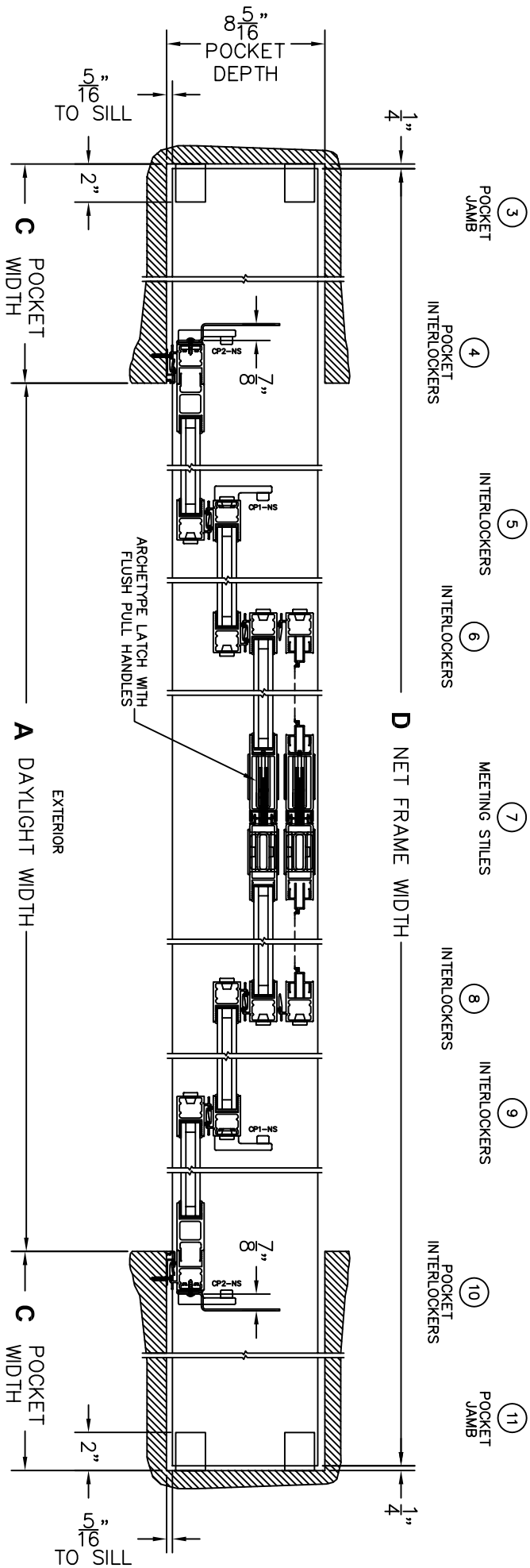
FLEETWOOD
WINDOWS & DOORS
FleetwoodUSA.com

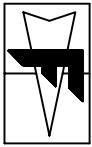
NORWOOD 3050 M/S
PXXXXXXP CUSTOM CONFIGURATION
HIDDEN TRACK WITH SCREENS

ORDER NO.:

ITEM NO.:

SCALE: 1/8





FLEETWOOD
 WINDOWS & DOORS
 FleetwoodUSA.com

NORWOOD 3050 M/S
 PXXXXXXP CUSTOM CONFIGURATION
 HIDDEN TRACK WITH SCREENS

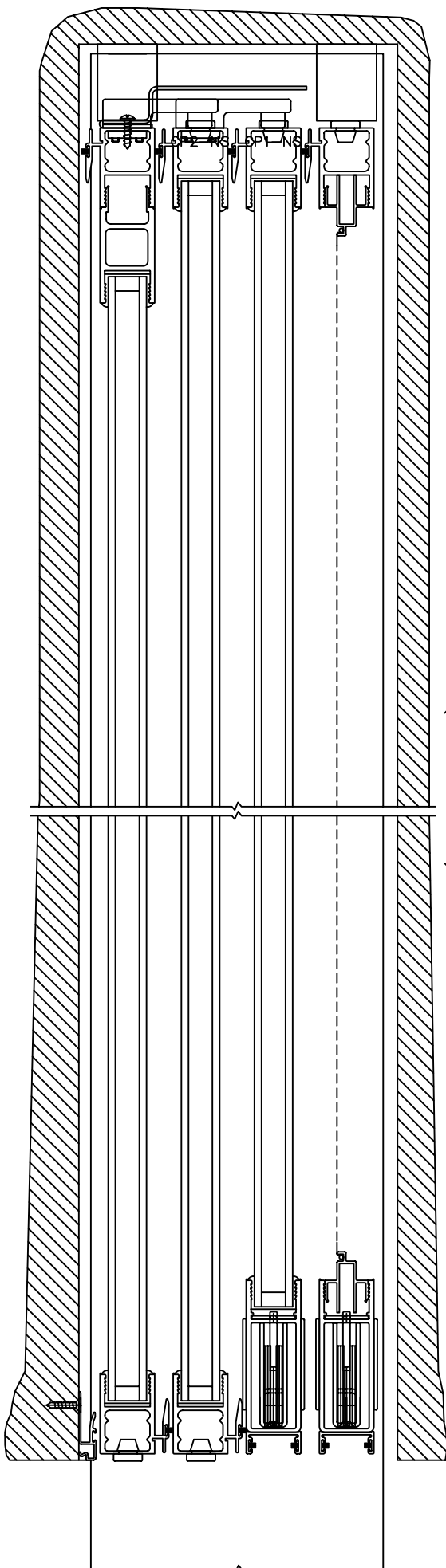
ORDER NO.:

ITEM NO.:

SCALE: 1/4

POCKET VIEWS: PANELS IN OPEN POSITION

(LEFT SIDE)



(RIGHT SIDE)

