

FLEETWOOD
WINDOWS & DOORS
FleetwoodUSA.com

NORWOOD 3050 M/S
PXXXIXXP CUSTOM CONFIGURATION
HIDDEN TRACK WITH SCREENS

ORDER NO.:

ITEM NO.:

SCALE: 1/4

REQUIRED DEALER INFO.

A(DAYLIGHT WIDTH)

B(NET FRAME HEIGHT)

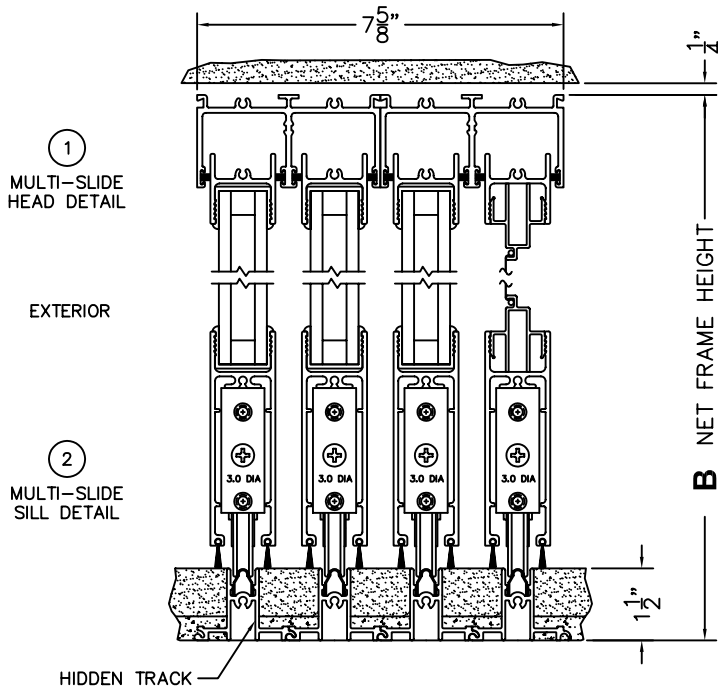
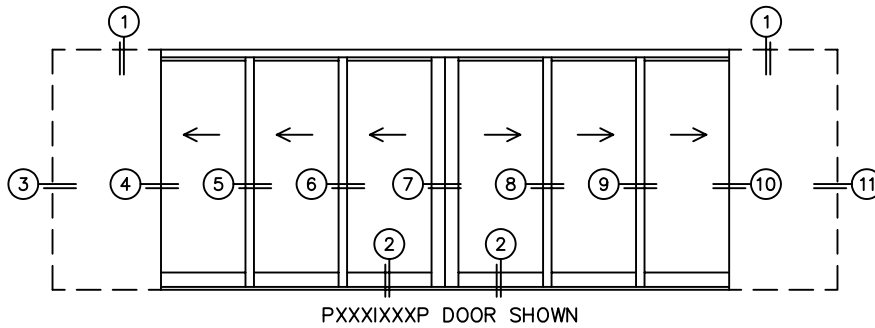
SILL PAN HEIGHT(INTERIOR LEG)
(3/4", 1-1/16", 1-7/16" OR 1-7/8")

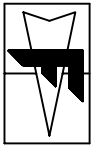
CALCULATED VALUES (FLEETWOOD SUPPLIED)

C(POCKET WIDTH)

D(NET FRAME WIDTH)

NOTES:





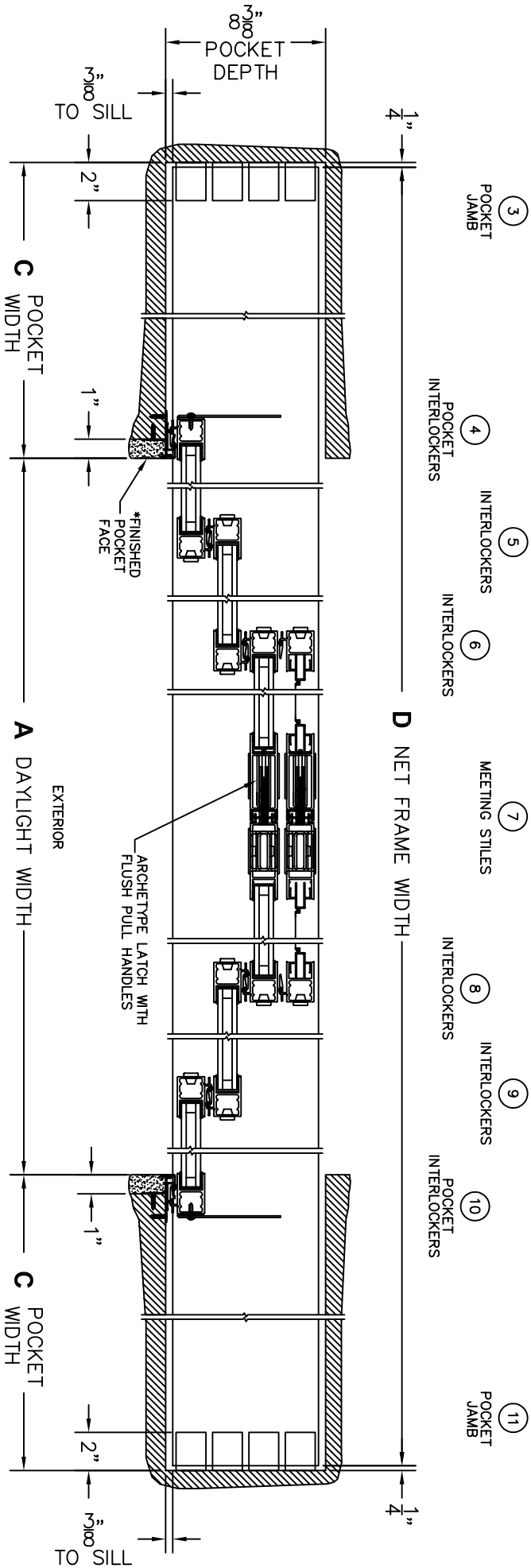
FLEETWOOD
WINDOWS & DOORS
FleetwoodUSA.com

NORWOOD 3050 M/S
PXXXXXXP CUSTOM CONFIGURATION
HIDDEN TRACK WITH SCREENS

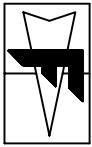
ORDER NO.:

ITEM NO.:

SCALE: 1/8



*CAUTION: WHEN CONSTRUCTING POCKET NOTE THAT DAYLIGHT WIDTH DOES NOT INCLUDE 1" SET BACK FOR POST INTERLOCKER.



FLEETWOOD
 WINDOWS & DOORS
 FleetwoodUSA.com

NORWOOD 3050 M/S
 PXXXXXXP CUSTOM CONFIGURATION
 HIDDEN TRACK WITH SCREENS

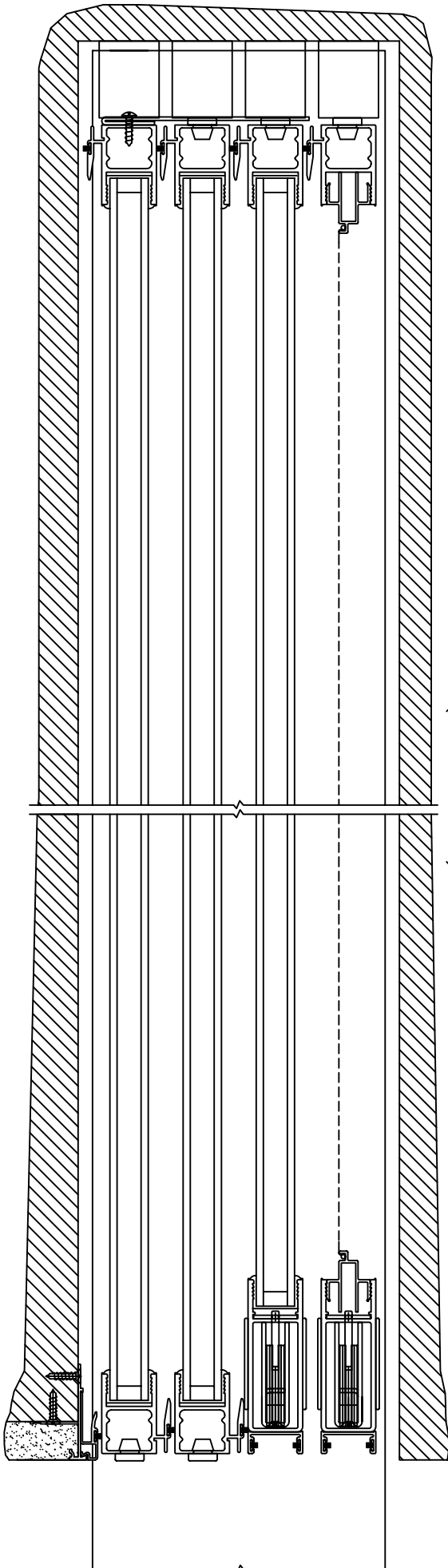
ORDER NO.:

ITEM NO.:

SCALE: 1/4

POCKET VIEWS: PANELS IN OPEN POSITION

(LEFT SIDE)



(RIGHT SIDE)

