

**FLEETWOOD**  
WINDOWS & DOORS  
FleetwoodUSA.com

**NORWOOD 3050 M/S**  
PXXXIXXXP CUSTOM CONFIGURATION  
HIDDEN TRACK NO SCREENS

ORDER NO.:

ITEM NO.:

SCALE: 1/4

REQUIRED DEALER INFO.

**DOOR COLLECTOR B.O.M.**

FW PART NO.	QTY.
1063-1	4
1064-2	4
SCREW SIZES / LENGTHS	
#4-40 X 5/16"	8
#10-32 X 1-1/8"	8

**A**(DAYLIGHT WIDTH)

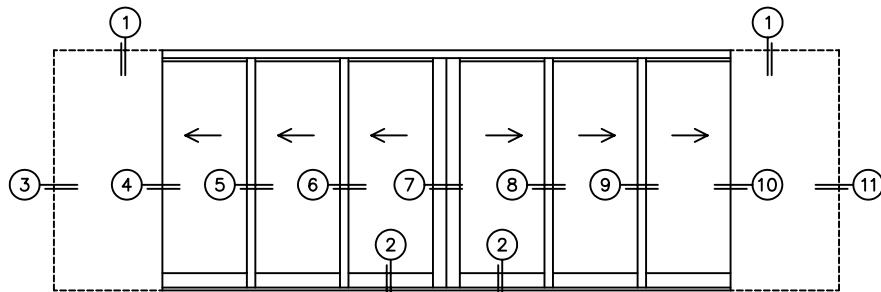
**B**(NET FRAME HEIGHT)

CALCULATED VALUES (FLEETWOOD SUPPLIED)

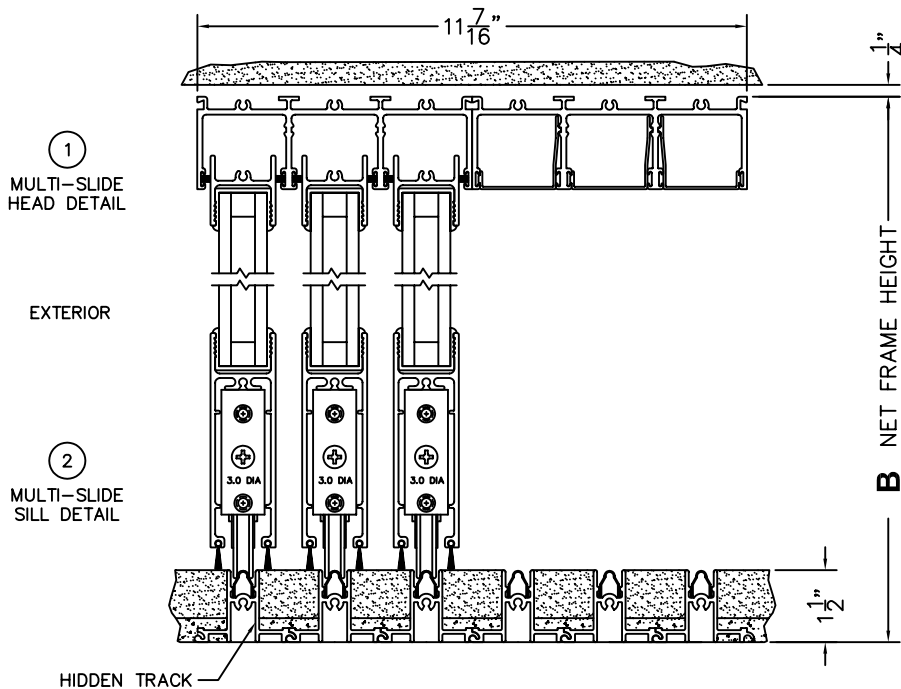
**C**(POCKET WIDTH)

**D**(NET FRAME WIDTH)

NOTES:



PXXXIXXXP DOOR SHOWN



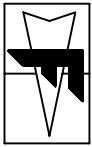
1  
MULTI-SLIDE  
HEAD DETAIL

EXTERIOR

2  
MULTI-SLIDE  
SILL DETAIL

**B** NET FRAME HEIGHT

HIDDEN TRACK



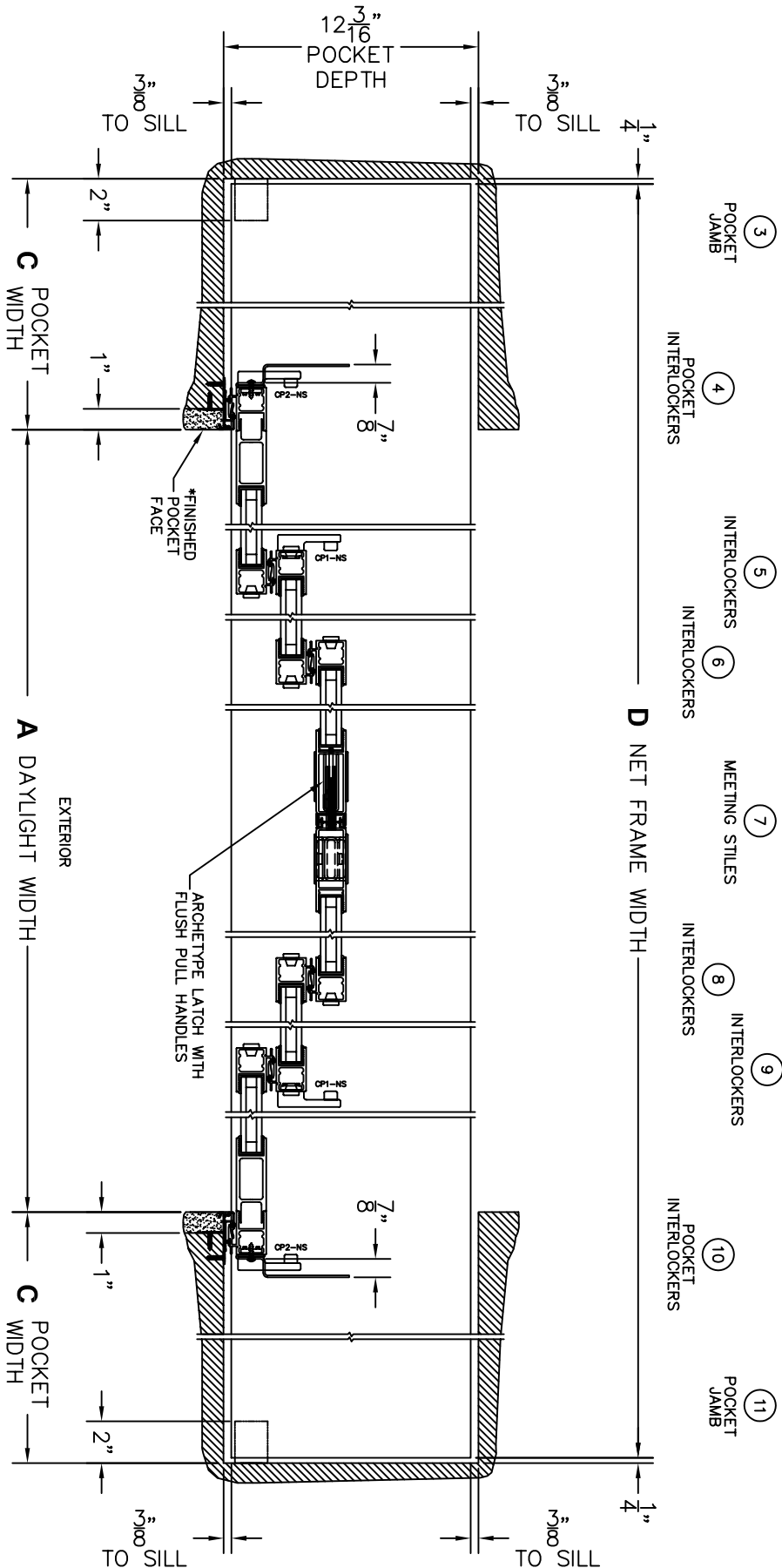
**FLEETWOOD**  
WINDOWS & DOORS  
FleetwoodUSA.com

**NORWOOD 3050 M/S**  
PXXXXXXP CUSTOM CONFIGURATION  
HIDDEN TRACK NO SCREENS

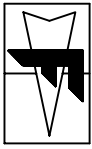
ORDER NO.:

ITEM NO.:

SCALE: 1/8



\*CAUTION: WHEN CONSTRUCTING POCKET NOTE THAT DAYLIGHT WIDTH DOES NOT INCLUDE 1" SET BACK FOR POST INTERLOCKER.



**FLEETWOOD**  
 WINDOWS & DOORS  
 FleetwoodUSA.com

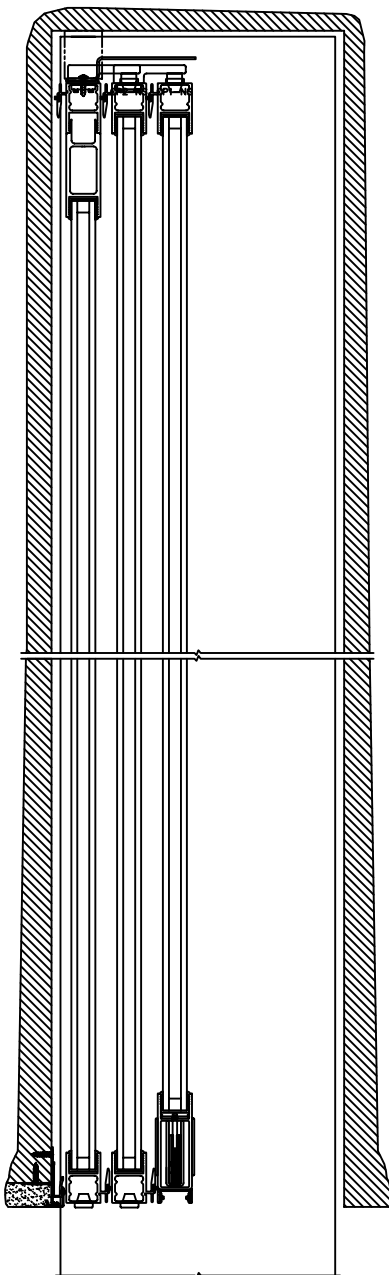
**NORWOOD 3050 M/S**  
 PXXXXXXP CUSTOM CONFIGURATION  
 HIDDEN TRACK NO SCREENS

ORDER NO.:

ITEM NO.:

SCALE: 1/4

POCKET VIEWS: EQUAL PANELS IN OPEN POSITION  
 (LEFT SIDE)



(RIGHT SIDE)

