

FLEETWOOD

Windows & Doors

2485 Railroad Street, Corona, CA 92880
(800) 736-7363 www.fleetwoodusa.com

NORWOOD 3050

PXXXIXXP CUSTOM CONFIGURATION
NO SCREENS HIDDEN TRACK

ORDER NO.:

ITEM NO.:

REQUIRED DEALER INFO.

A(DAYLIGHT WIDTH)

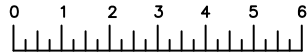
B(NET FRAME HEIGHT)

CALCULATED VALUES (FLEETWOOD SUPPLIED)

C(POCKET WIDTH)

D(NET FRAME WIDTH)

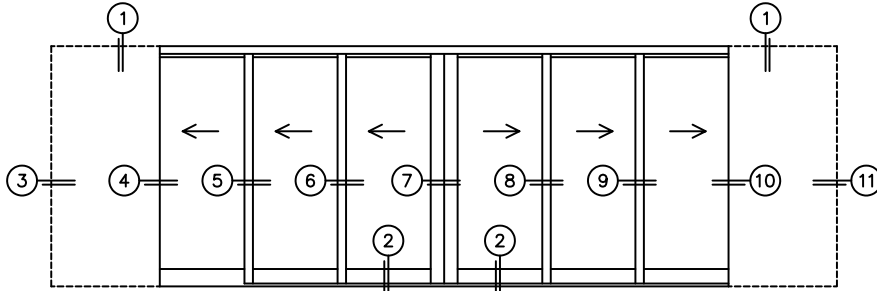
NOTES:



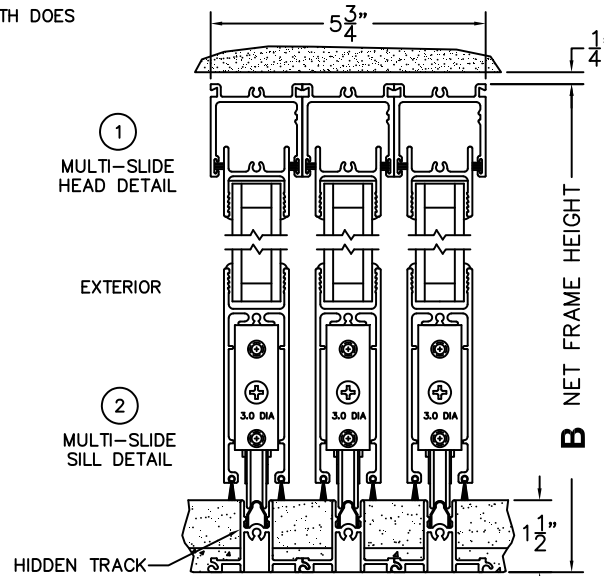
*CAUTION: WHEN CONSTRUCTING POCKET NOTE THAT DAYLIGHT WIDTH DOES NOT INCLUDE 1" SET BACK FOR POST INTERLOCKER.

(USE RULER TO SCALE DIMENSIONS IN INCHES)

SCALE: 1/4



PXXXIXXP DOOR SHOWN



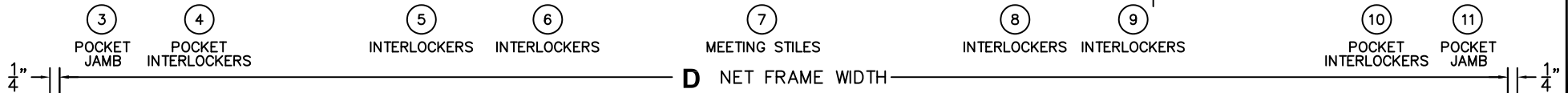
1
MULTI-SLIDE
HEAD DETAIL

EXTERIOR

2
MULTI-SLIDE
SILL DETAIL

HIDDEN TRACK

B
NET FRAME HEIGHT



3
POCKET
JAMB

4
POCKET
INTERLOCKERS

5
INTERLOCKERS

6
INTERLOCKERS

7
MEETING STILES

8
INTERLOCKERS

9
INTERLOCKERS

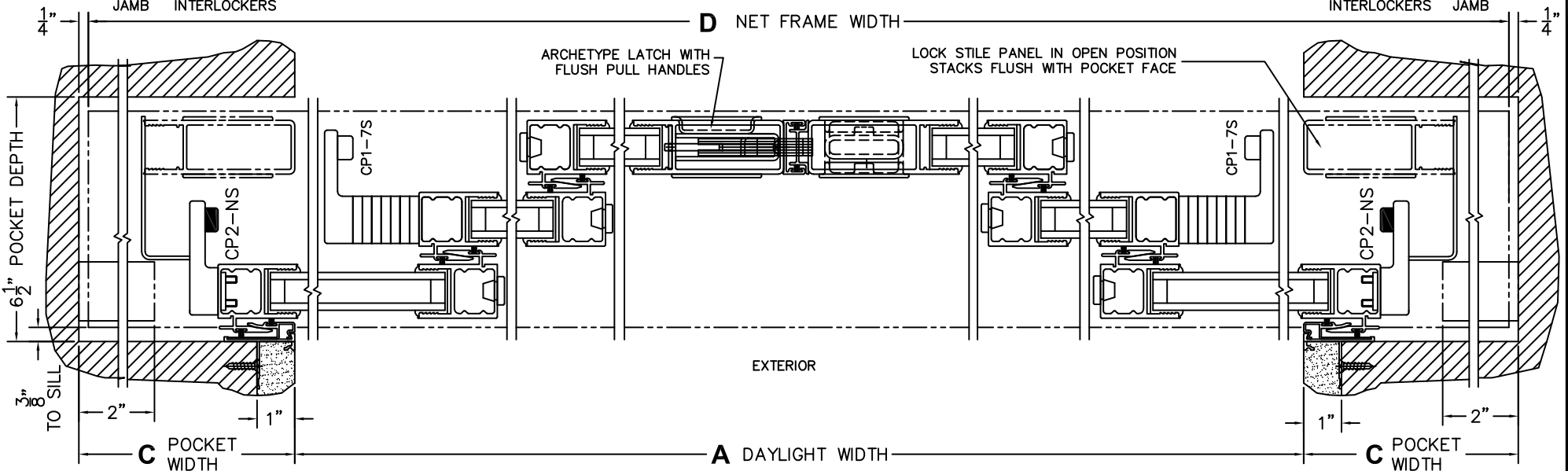
10
POCKET
INTERLOCKERS

11
POCKET
JAMB

D
NET FRAME WIDTH

ARCHETYPE LATCH WITH
FLUSH PULL HANDLES

LOCK STILE PANEL IN OPEN POSITION
STACKS FLUSH WITH POCKET FACE



6 1/2" POCKET DEPTH

3/8" TO SILL

C
POCKET
WIDTH

A
DAYLIGHT WIDTH

C
POCKET
WIDTH