

# FLEETWOOD

## Windows & Doors

2485 Railroad Street, Corona, CA 92880  
(800) 736-7363 www.fleetwoodusa.com

# NORWOOD 3050

## PXXXIXXP STANDARD CONFIGURATION

### NO SCREENS HIDDEN TRACK

ORDER NO.:

ITEM NO.:

REQUIRED DEALER INFO.

**A**(DAYLIGHT WIDTH)

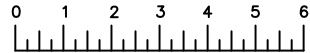
**B**(NET FRAME HEIGHT)

CALCULATED VALUES (FLEETWOOD SUPPLIED)

**C**(POCKET WIDTH)

**D**(NET FRAME WIDTH)

NOTES:

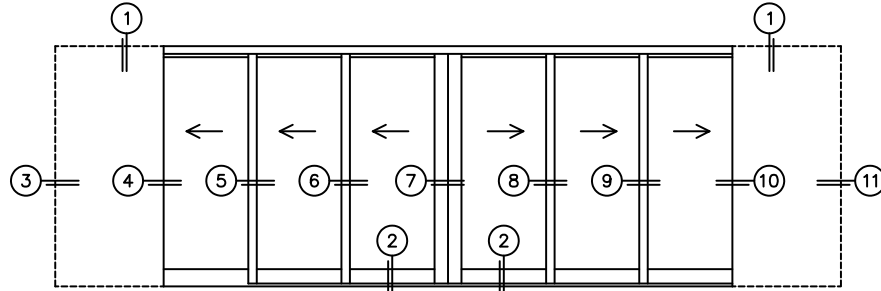


(USE RULER TO SCALE DIMENSIONS IN INCHES)

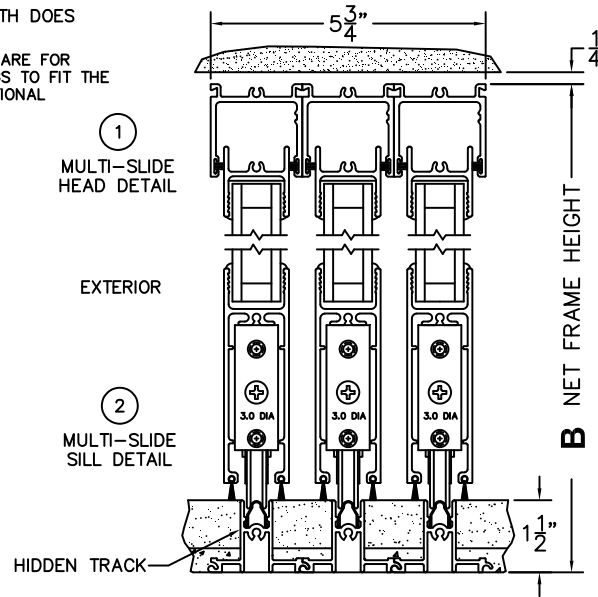
SCALE: 1/4

\*CAUTION: WHEN CONSTRUCTING POCKET NOTE THAT DAYLIGHT WIDTH DOES NOT INCLUDE 1" SET BACK FOR POST INTERLOCKER.

NOTE: THIS DRAWING AND THE ACCOMPANYING "OPTIONS AND UPGRADES" ARE FOR CONCEPT ONLY! AT THE TIME OF ORDER WE WILL CUSTOMIZE THE DRAWINGS TO FIT THE FINAL CONFIGURATION. SEE DRAWINGS 3050-08 THRU 3050-09 FOR ADDITIONAL INFORMATION.



PXXXIXXP DOOR SHOWN



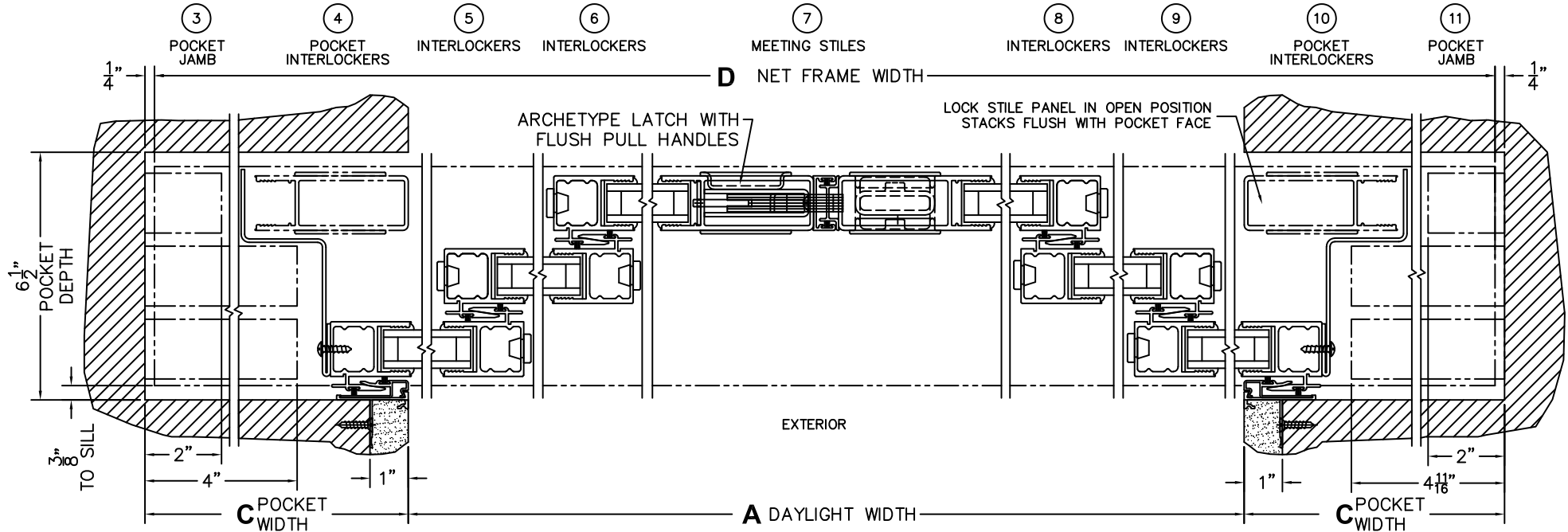
1  
MULTI-SLIDE  
HEAD DETAIL

EXTERIOR

2  
MULTI-SLIDE  
SILL DETAIL

HIDDEN TRACK

B  
NET FRAME HEIGHT



3  
POCKET  
JAMB

4  
POCKET  
INTERLOCKERS

5  
INTERLOCKERS

6  
INTERLOCKERS

7  
MEETING STILES  
D  
NET FRAME WIDTH

8  
INTERLOCKERS

9  
INTERLOCKERS

10  
POCKET  
INTERLOCKERS

11  
POCKET  
JAMB

ARCHETYPE LATCH WITH  
FLUSH PULL HANDLES

LOCK STILE PANEL IN OPEN POSITION  
STACKS FLUSH WITH POCKET FACE

EXTERIOR

C  
POCKET  
WIDTH

A  
DAYLIGHT WIDTH

C  
POCKET  
WIDTH