

NORWOOD 3050
PXXXIXXP CUSTOM CONFIGURATION
NO SCREENS HIDDEN TRACK

ORDER NO.:

ITEM NO.:

REQUIRED DEALER INFO.

A(DAYLIGHT WIDTH)

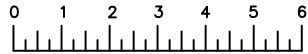
B(NET FRAME HEIGHT)

CALCULATED VALUES (FLEETWOOD SUPPLIED)

C(POCKET WIDTH)

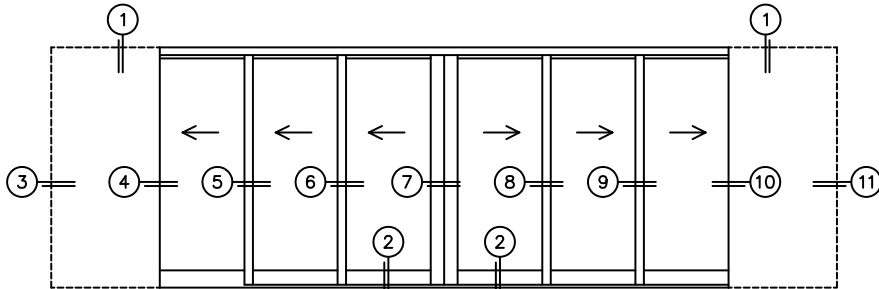
D(NET FRAME WIDTH)

NOTES:

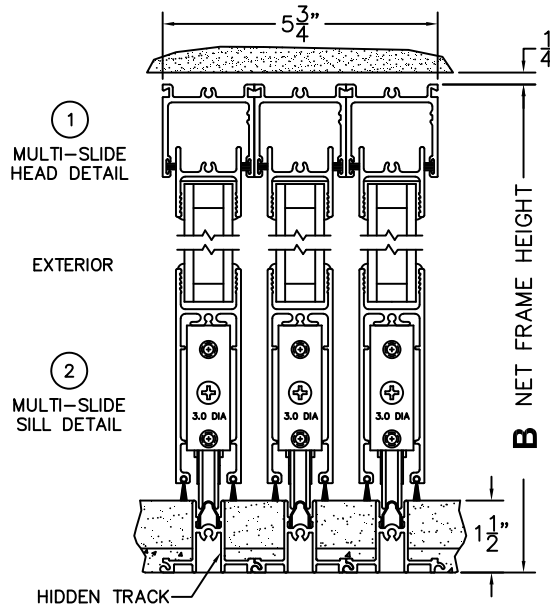


(USE RULER TO SCALE DIMENSIONS IN INCHES)

SCALE: 1/4



PXXXIXXP DOOR SHOWN



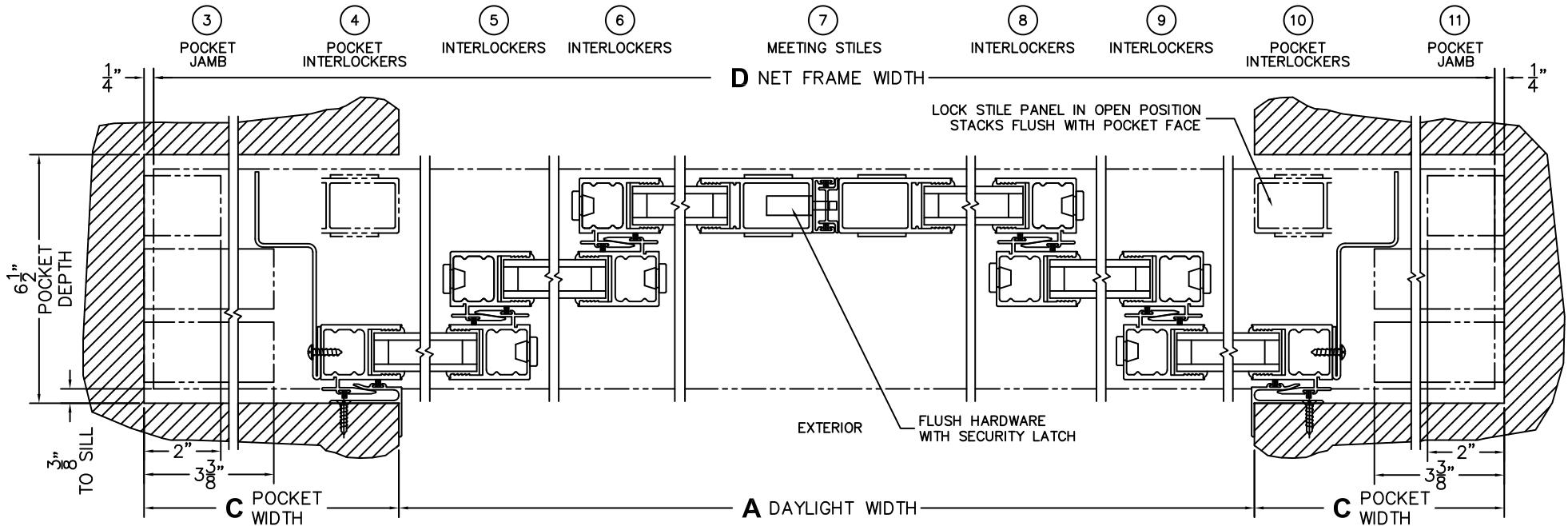
1
MULTI-SLIDE
HEAD DETAIL

EXTERIOR

2
MULTI-SLIDE
SILL DETAIL

HIDDEN TRACK

B NET FRAME HEIGHT



3 POCKET JAMB 4 POCKET INTERLOCKERS 5 INTERLOCKERS 6 INTERLOCKERS 7 MEETING STILES 8 INTERLOCKERS 9 INTERLOCKERS 10 POCKET INTERLOCKERS 11 POCKET JAMB

D NET FRAME WIDTH

LOCK STILE PANEL IN OPEN POSITION
STACKS FLUSH WITH POCKET FACE

EXTERIOR FLUSH HARDWARE
WITH SECURITY LATCH

C POCKET WIDTH

A DAYLIGHT WIDTH

C POCKET WIDTH