

NORWOOD 3050
PXXXIXXX STANDARD CONFIGURATION
NO SCREENS HIDDEN TRACK

ORDER NO.:

ITEM NO.:

REQUIRED DEALER INFO.

A(DAYLIGHT WIDTH)

B(NET FRAME HEIGHT)

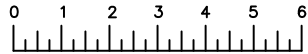
CALCULATED VALUES (FLEETWOOD SUPPLIED)

C(POCKET WIDTH)

D(NET FRAME WIDTH)

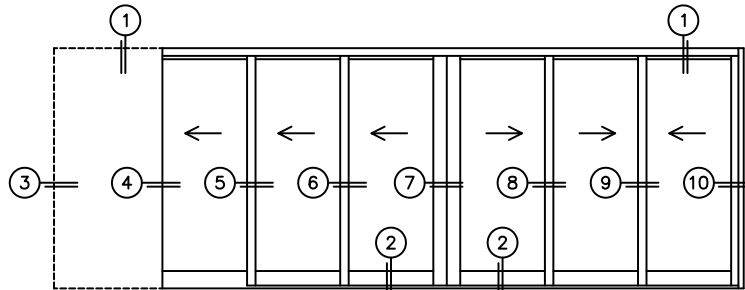
NOTES:

*CAUTION: WHEN CONSTRUCTING POCKET NOTE THAT DAYLIGHT WIDTH DOES NOT INCLUDE 1" SET BACK FOR POST INTERLOCKER.

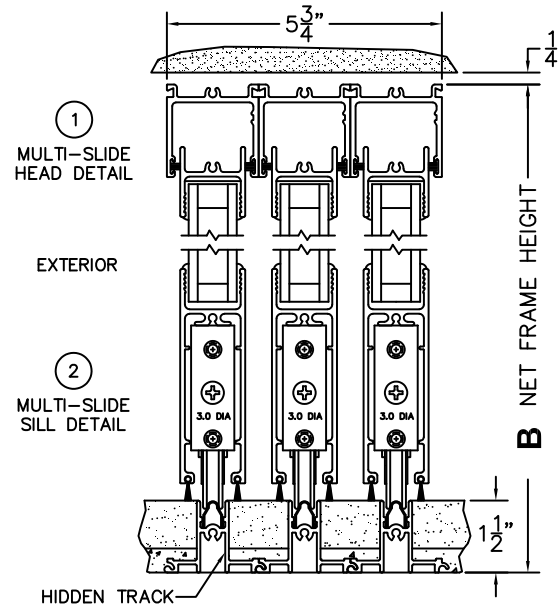


(USE RULER TO SCALE DIMENSIONS IN INCHES)

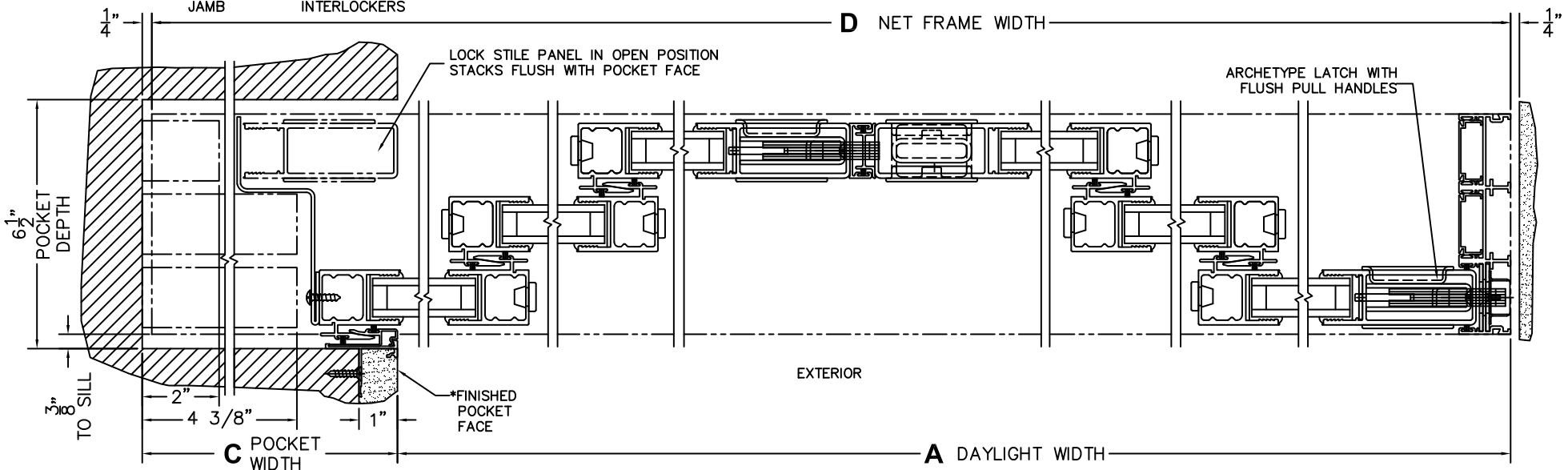
SCALE: 1/4



PXXXIXXX DOOR SHOWN



D NET FRAME WIDTH



C POCKET WIDTH

A DAYLIGHT WIDTH