

FLEETWOOD
WINDOWS & DOORS
FleetwoodUSA.com

NORWOOD 3050
PXXX STANDARD CONFIGURATION
NO SCREENS

ORDER NO.:

ITEM NO.:

REQUIRED DEALER INFO.

A(DAYLIGHT WIDTH)

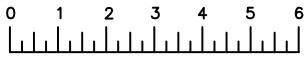
B(NET FRAME HEIGHT)

CALCULATED VALUES (FLEETWOOD SUPPLIED)

C(POCKET WIDTH)

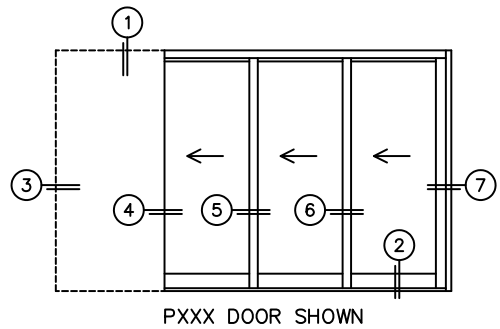
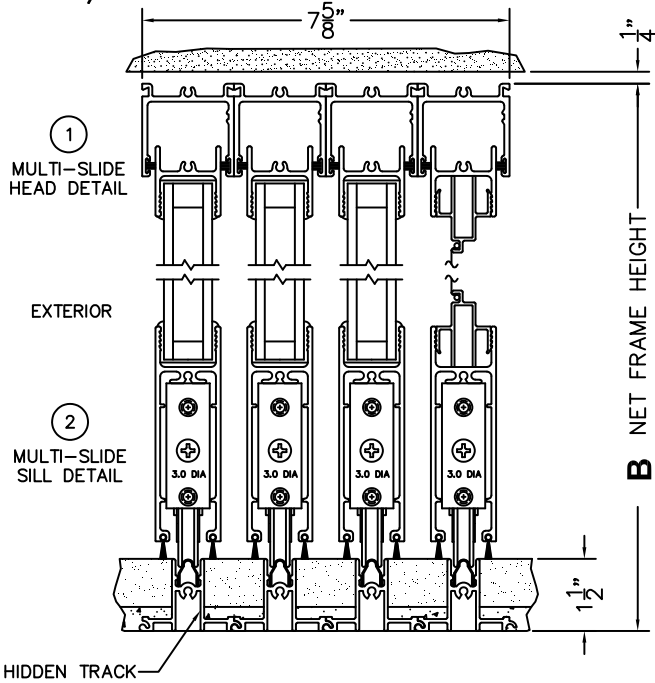
D(NET FRAME WIDTH)

NOTES:



(USE RULER TO SCALE DIMENSIONS IN INCHES)

SCALE: 1/4



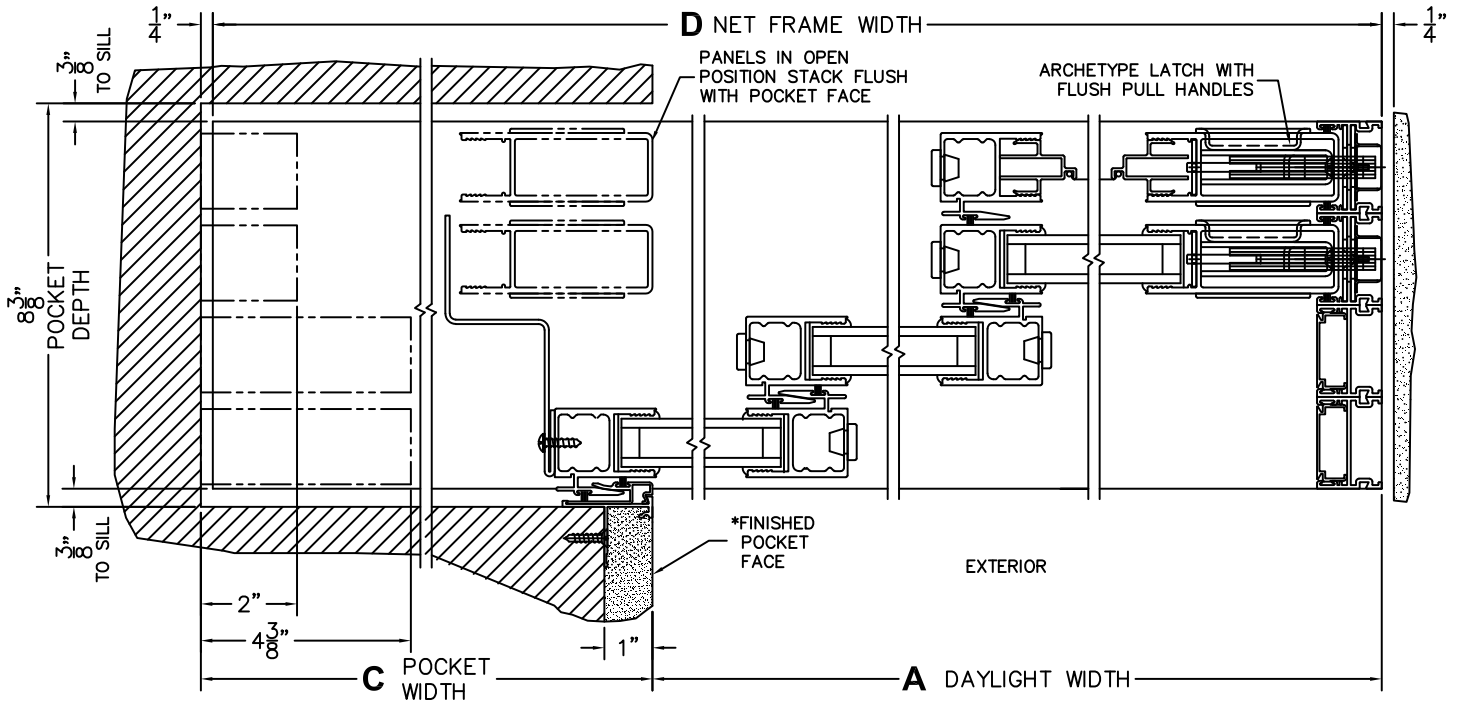
3 POCKET JAMB

4 POCKET INTERLOCKER

5 INTERLOCKERS

6 INTERLOCKERS

7 LOCK JAMB



*CAUTION: WHEN CONSTRUCTING POCKET NOTE THAT DAYLIGHT WIDTH DOES NOT INCLUDE 1" SET BACK FOR POST INTERLOCKER.