

# FLEETWOOD

Windows & Doors

2485 Railroad Street, Corona, CA 92880  
(800) 736-7363 www.fleetwoodusa.com

# NORWOOD 3050

PXXX STANDARD CONFIGURATION

NO SCREENS

ORDER NO.:

ITEM NO.:

REQUIRED DEALER INFO.

**A**(DAYLIGHT WIDTH)

**B**(NET FRAME HEIGHT)

CALCULATED VALUES (FLEETWOOD SUPPLIED)

**C**(POCKET WIDTH)

**D**(NET FRAME WIDTH)

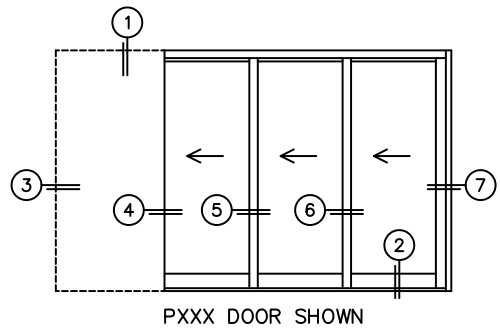
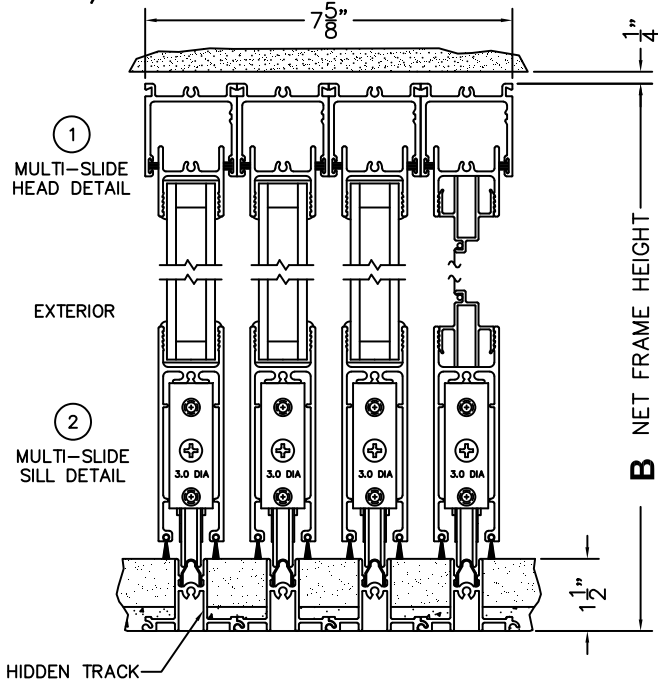
NOTES:



(USE RULER TO SCALE DIMENSIONS IN INCHES)

SCALE: 1/4

NOTE: THIS DRAWING AND THE ACCOMPANYING "OPTIONS AND UPGRADES" ARE FOR CONCEPT ONLY! AT THE TIME OF ORDER WE WILL CUSTOMIZE THE DRAWINGS TO FIT THE FINAL CONFIGURATION. SEE DRAWINGS 3050-08 THRU 3050-09 FOR ADDITIONAL INFORMATION.



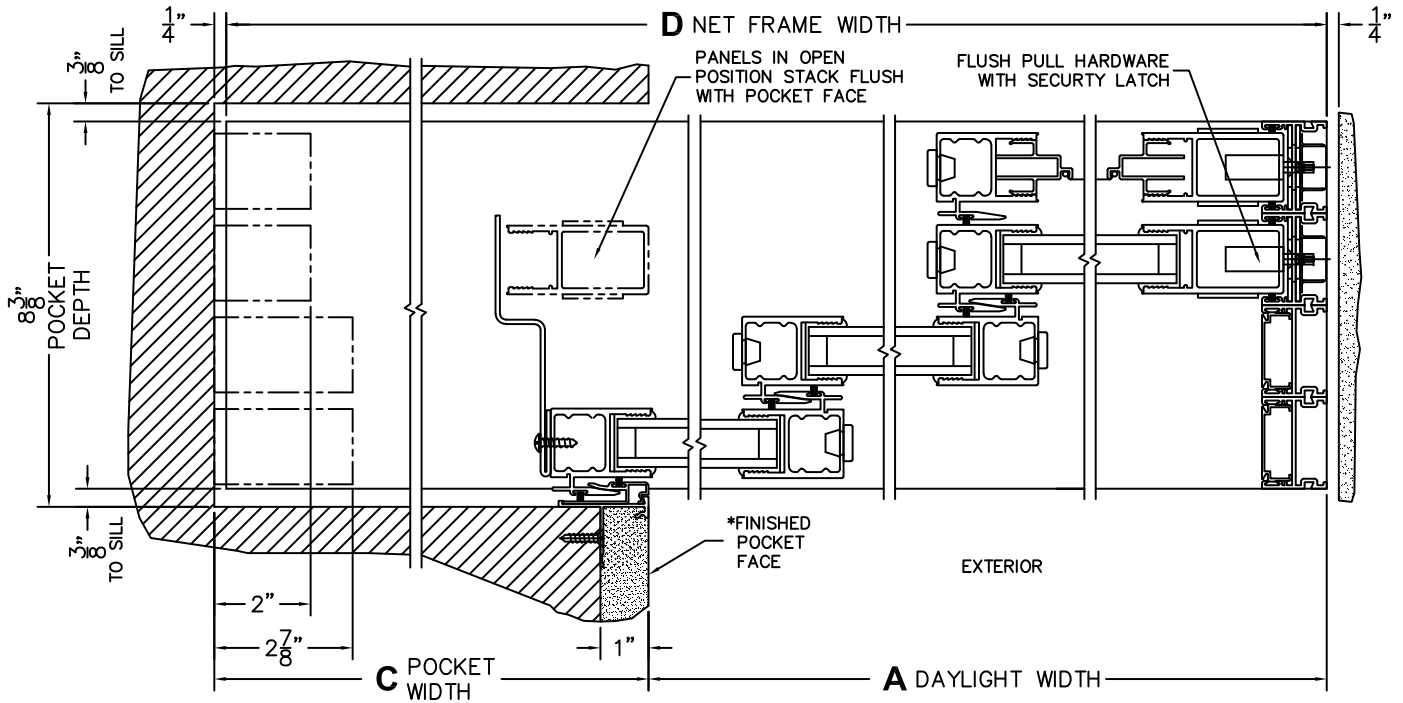
③ POCKET JAMB

④ POCKET INTERLOCKER

⑤ INTERLOCKERS

⑥ INTERLOCKERS

⑦ LOCK JAMB



\*CAUTION: WHEN CONSTRUCTING POCKET NOTE THAT DAYLIGHT WIDTH DOES NOT INCLUDE 1" SET BACK FOR POST INTERLOCKER.