

FLEETWOOD
WINDOWS & DOORS
FleetwoodUSA.com

NORWOOD 3050
PXXX CUSTOM CONFIGURATION
HIDDEN TRACK NO SCREENS

ORDER NO.:

ITEM NO.:

SCALE: 1/4

REQUIRED DEALER INFO.

DOOR COLLECTOR B.O.M.

FW PART NO.	QTY.
1063-1	2
1064-2	2
SCREW SIZES / LENGTHS	
#4-40 X 5/16"	4
#10-32 X 1-1/8"	4

A (DAYLIGHT WIDTH)

B (NET FRAME HEIGHT)

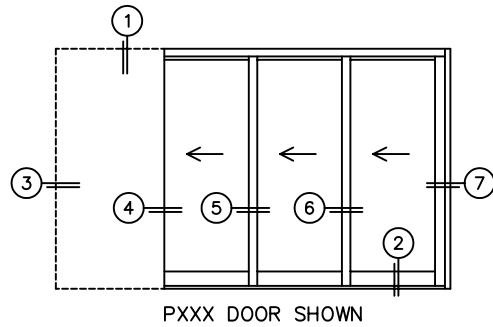
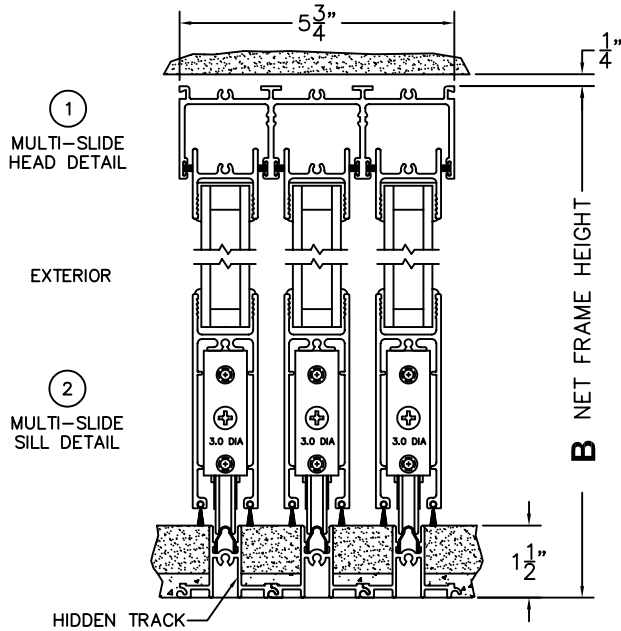
SILL PAN HEIGHT (INTERIOR LEG)
(3/4", 1-1/16", 1-7/16" OR 1-7/8")

CALCULATED VALUES (FLEETWOOD SUPPLIED)

C (POCKET WIDTH)

D (NET FRAME WIDTH)

NOTES:



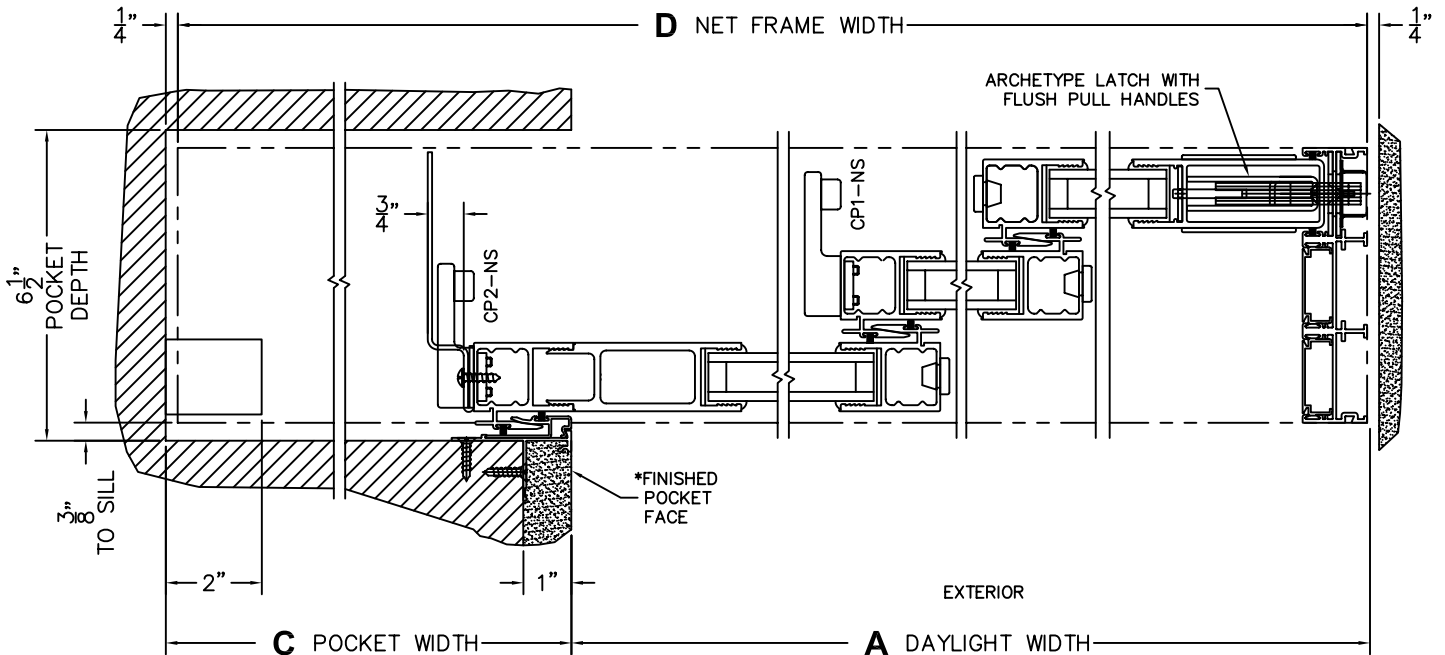
3
POCKET
JAMB

4
POCKET
INTERLOCKERS

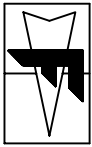
5
INTERLOCKERS

6
INTERLOCKERS

7
LOCK JAMB



*CAUTION: WHEN CONSTRUCTING POCKET NOTE THAT DAYLIGHT WIDTH DOES NOT INCLUDE 1" SET BACK FOR POST INTERLOCKER.



FLEETWOOD
 WINDOWS & DOORS
 FleetwoodUSA.com

NORWOOD 3050
 PXXX CUSTOM CONFIGURATION
 HIDDEN TRACK NO SCREENS

ORDER NO.:

ITEM NO.:

SCALE: 1/4

POCKET VIEW: PANELS IN OPEN POSITION

