



**FLEETWOOD**  
WINDOWS & DOORS  
FleetwoodUSA.com

**NORWOOD 3050**  
PXXX CUSTOM CONFIGURATION  
NO SCREENS

ORDER NO.:

ITEM NO.:

SCALE: 1/4

REQUIRED DEALER INFO.

**A**(DAYLIGHT WIDTH)

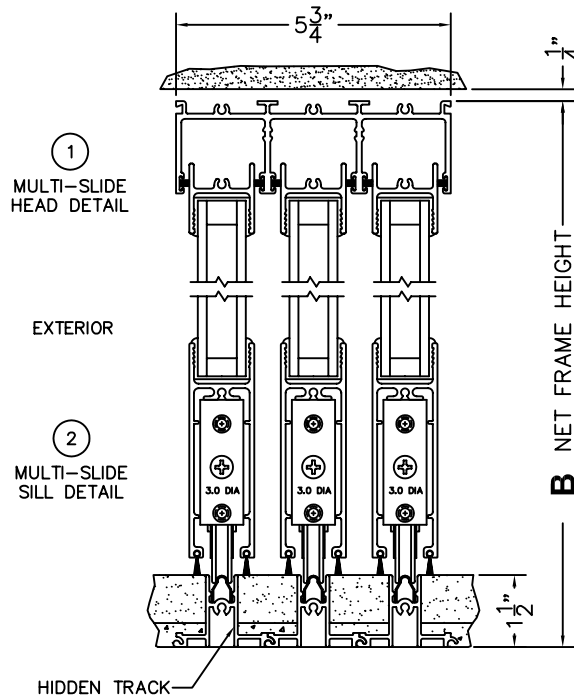
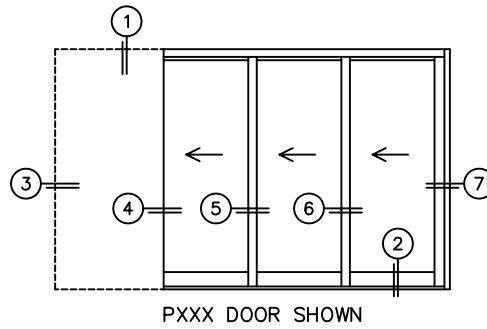
**B**(NET FRAME HEIGHT)

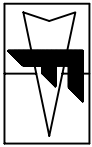
CALCULATED VALUES (FLEETWOOD SUPPLIED)

**C**(POCKET WIDTH)

**D**(NET FRAME WIDTH)

NOTES:





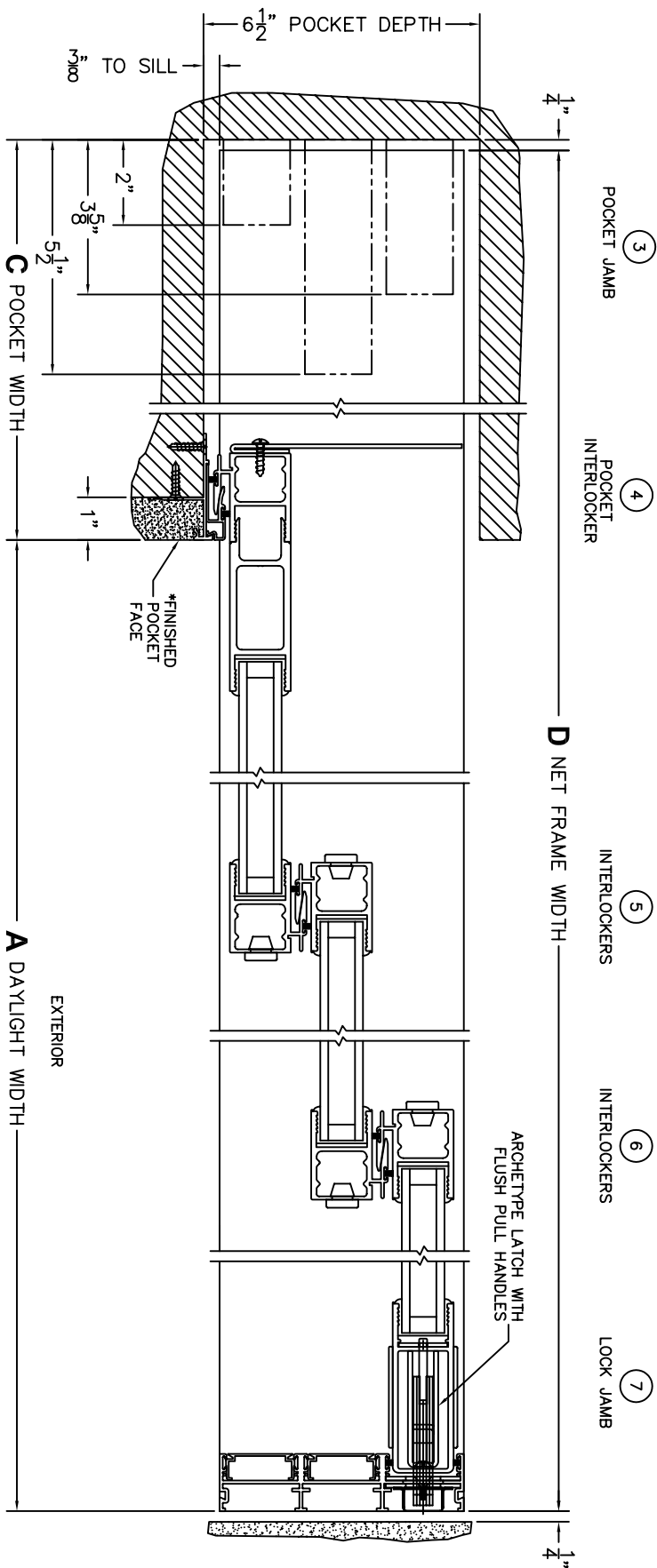
**FLEETWOOD**  
 WINDOWS & DOORS  
 FleetwoodUSA.com

**NORWOOD 3050**  
 PXXX CUSTOM CONFIGURATION  
 NO SCREENS

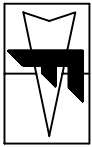
ORDER NO.:

ITEM NO.:

SCALE: 1/4



\*CAUTION: WHEN CONSTRUCTING POCKET NOTE THAT DAYLIGHT WIDTH DOES NOT INCLUDE 1" SET BACK FOR POST INTERLOCKER.



**FLEETWOOD**  
 WINDOWS & DOORS  
 FleetwoodUSA.com

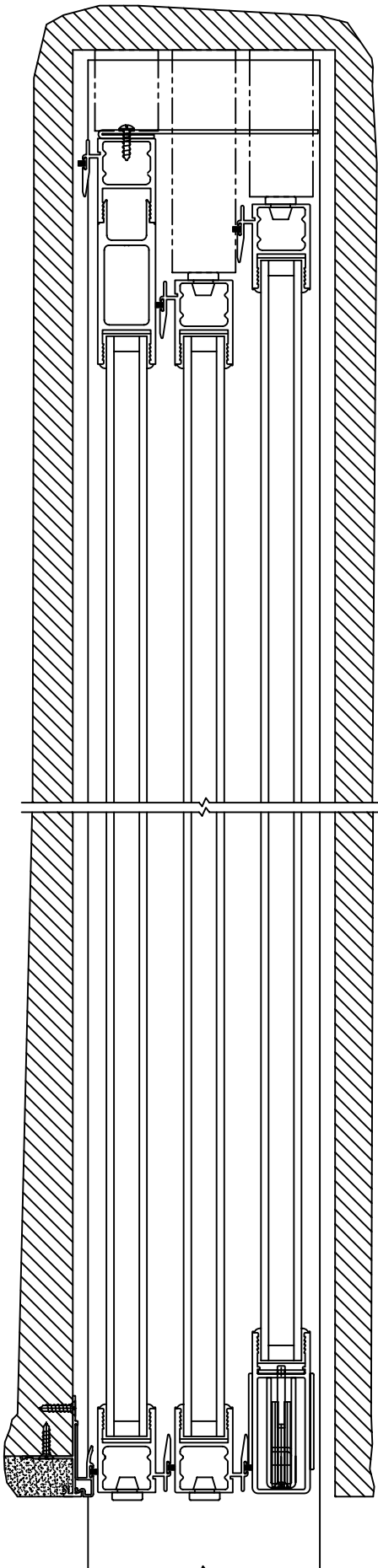
**NORWOOD 3050**  
 PXXX CUSTOM CONFIGURATION  
 NO SCREENS

ORDER NO.:

ITEM NO.:

SCALE: 1/4

POCKET VIEW: PANELS IN OPEN POSITION



DWG NO.: 3050-H-PXXX-NSD-IS-MS-STI-HF-DN-AN-PE3-PJN-PJ2

SHEET: 3 OF 3

CUSTOMER  
SIGNATURE

DATE: