

FLEETWOOD
WINDOWS & DOORS
FleetwoodUSA.com

NORWOOD 3050 M/S
PXXIXXP CUSTOM CONFIGURATION
NO SCREENS HIDDEN TRACK

ORDER NO.:

ITEM NO.:

SCALE: 1/4

REQUIRED DEALER INFO.

A (DAYLIGHT WIDTH)

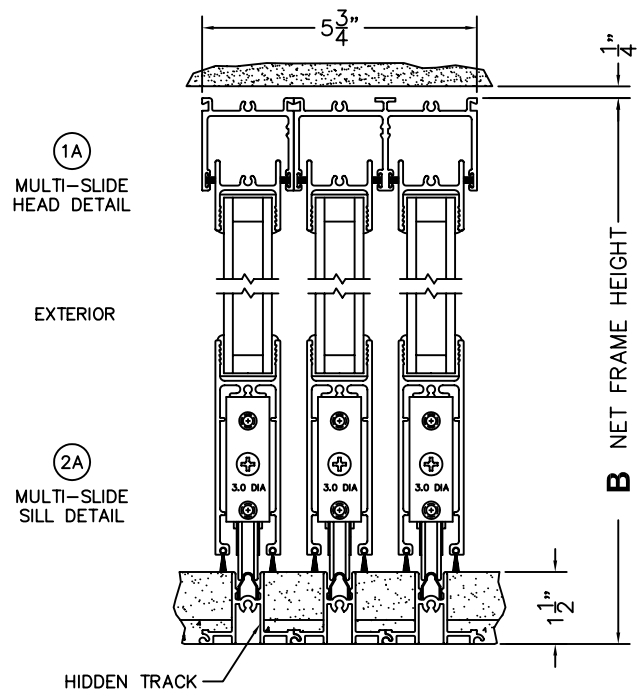
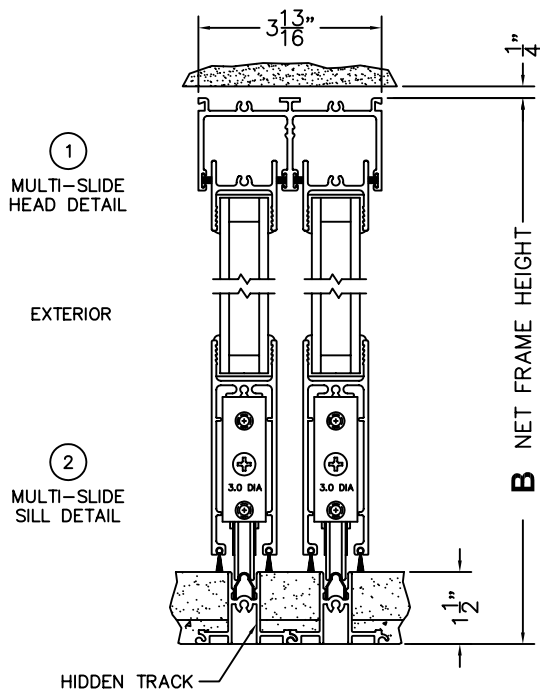
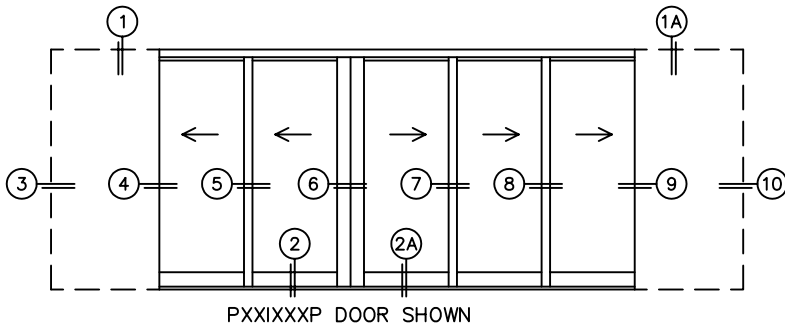
B (NET FRAME HEIGHT)

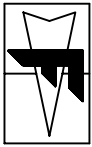
CALCULATED VALUES (FLEETWOOD SUPPLIED)

C (POCKET WIDTH)

D (NET FRAME WIDTH)

NOTES:





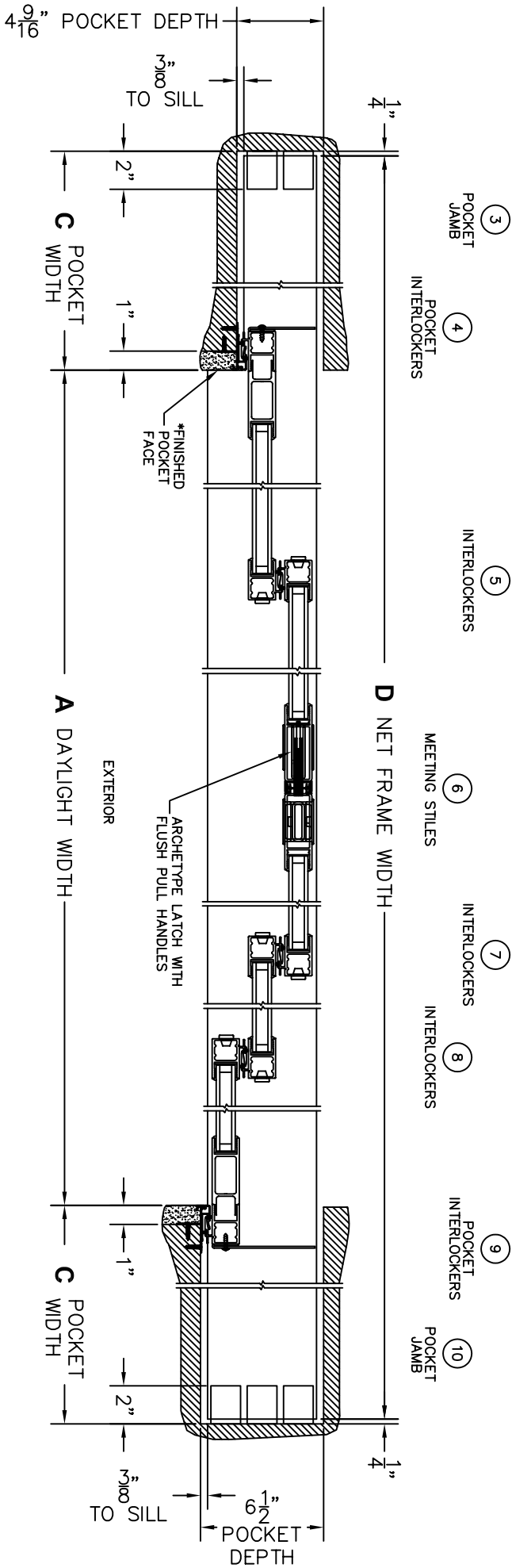
FLEETWOOD
WINDOWS & DOORS
FleetwoodUSA.com

NORWOOD 3050 M/S
PXXIXXP CUSTOM CONFIGURATION
NO SCREENS HIDDEN TRACK

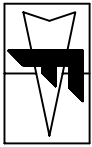
ORDER NO.:

ITEM NO.:

SCALE: 1/8



*CAUTION: WHEN CONSTRUCTING POCKET NOTE THAT DAYLIGHT WIDTH DOES NOT INCLUDE 1" SET BACK FOR POST INTERLOCKER.



FLEETWOOD
 WINDOWS & DOORS
 FleetwoodUSA.com

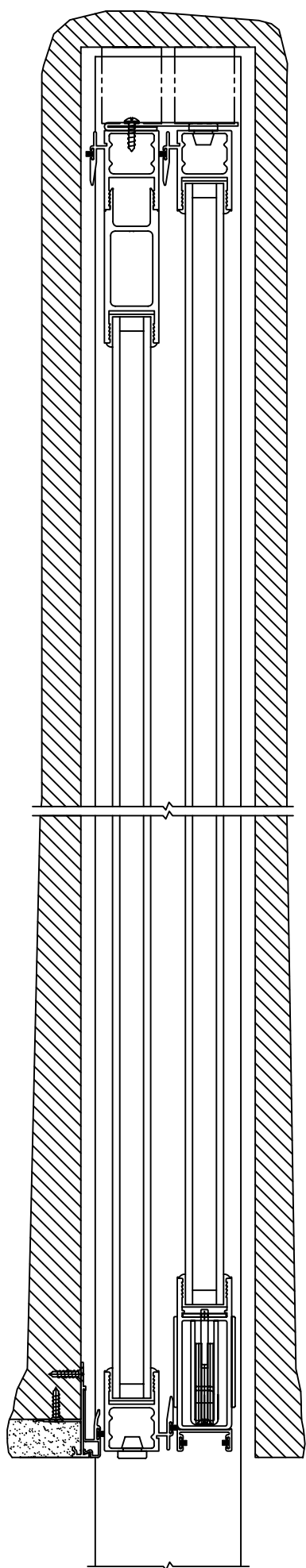
NORWOOD 3050 M/S
 PXXIXXP CUSTOM CONFIGURATION
 NO SCREENS HIDDEN TRACK

ORDER NO.:

ITEM NO.:

SCALE: 1/4

POCKET VIEWS: EQUAL PANELS IN OPEN POSITION
 (LEFT SIDE)



(RIGHT SIDE)

