

**FLEETWOOD**  
WINDOWS & DOORS  
FleetwoodUSA.com

**NORWOOD 3050 M/S**  
PXIXXP CUSTOM CONFIGURATION  
NO SCREENS HIDDEN TRACK

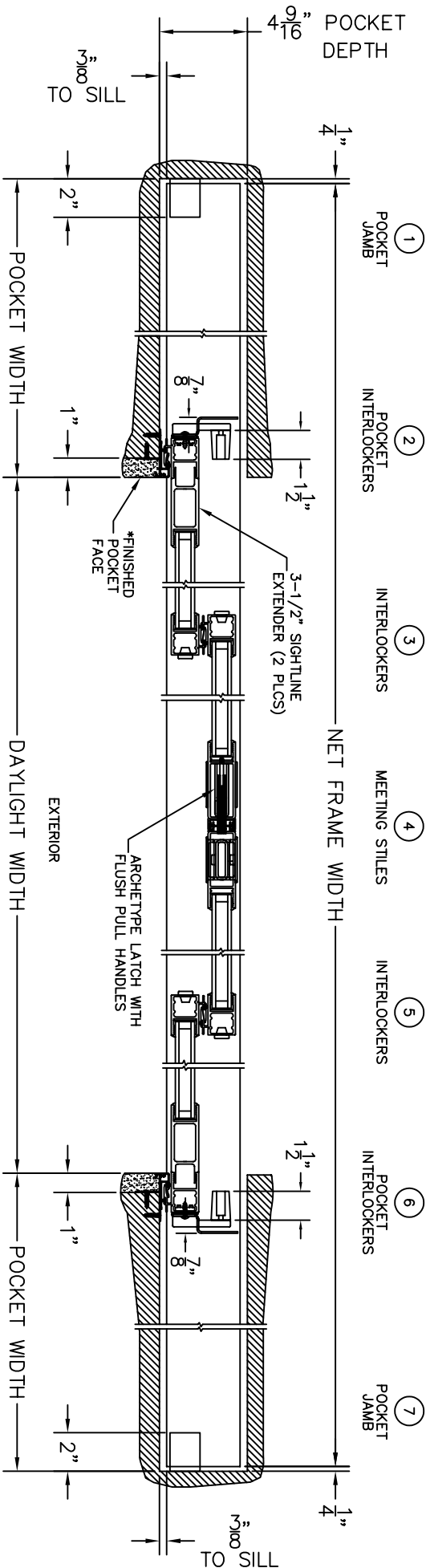
ORDER NO.:

ITEM NO.:

SCALE: 1/8

**DOOR COLLECTOR B.O.M.**

FW PART NO.	QTY.
1063-1	2
1064-2	2
SCREW SIZES / LENGTHS	
#4-40 X 5/16"	4
#10-32 X 1-1/8"	4



\*CAUTION: WHEN CONSTRUCTING POCKET NOTE THAT DAYLIGHT WIDTH DOES NOT INCLUDE 1" SET BACK FOR POST INTERLOCKER.