

FLEETWOOD
WINDOWS & DOORS
FleetwoodUSA.com

NORWOOD 3050 M/S

PXXIXXP CUSTOM CONFIGURATION
NO SCREENS HIDDEN TRACK

ORDER NO.:

ITEM NO.:

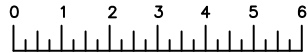
REQUIRED DEALER INFO.

A (DAYLIGHT WIDTH)	
B (NET FRAME HEIGHT)	
SILL PAN HEIGHT (INTERIOR LEG) (3/4", 1-1/16", 1-7/16" OR 1-7/8")	

CALCULATED VALUES (FLEETWOOD SUPPLIED)

C (POCKET WIDTH)	
D (NET FRAME WIDTH)	

NOTES:



(USE RULER TO SCALE DIMENSIONS IN INCHES)

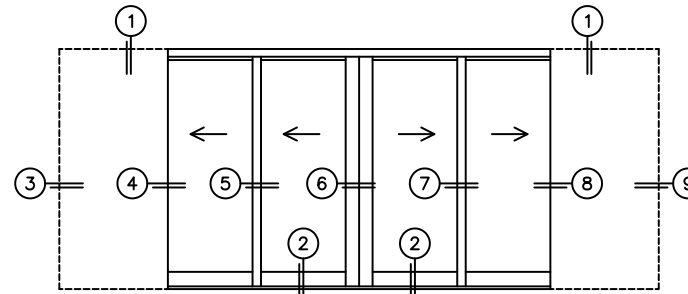
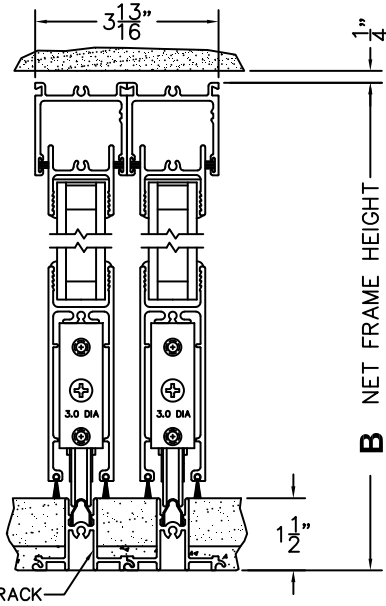
SCALE: 1/4

①
MULTI-SLIDE
HEAD DETAIL

EXTERIOR

②
MULTI-SLIDE
SILL DETAIL

HIDDEN TRACK



PXXIXXP DOOR SHOWN

③
POCKET
JAMB

④
POCKET
INTERLOCKERS

⑤
INTERLOCKERS

⑥
MEETING STILES

⑦
INTERLOCKERS

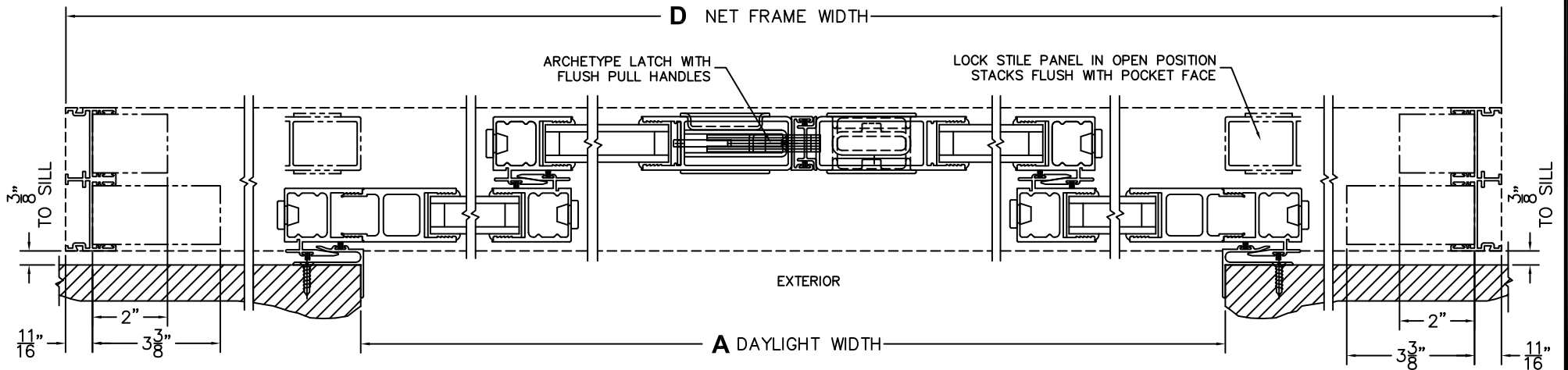
⑧
POCKET
INTERLOCKERS

⑨
POCKET
JAMB

D NET FRAME WIDTH

ARCHETYPE LATCH WITH
FLUSH PULL HANDLES

LOCK STILE PANEL IN OPEN POSITION
STACKS FLUSH WITH POCKET FACE



A DAYLIGHT WIDTH