



FLEETWOOD
WINDOWS & DOORS
FleetwoodUSA.com

NORWOOD 3050

PXX STANDARD CONFIGURATION
WITH SCREENS HIDDEN TRACK

ORDER NO.:

ITEM NO.:

REQUIRED DEALER INFO.

A(DAYLIGHT WIDTH)

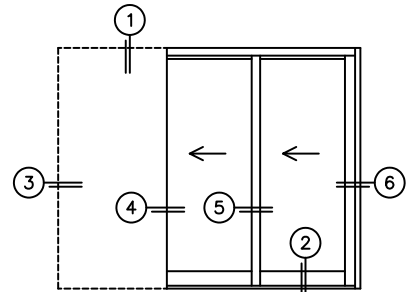
B(NET FRAME HEIGHT)

CALCULATED VALUES (FLEETWOOD SUPPLIED)

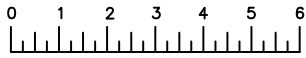
C(POCKET WIDTH)

D(NET FRAME WIDTH)

NOTES:

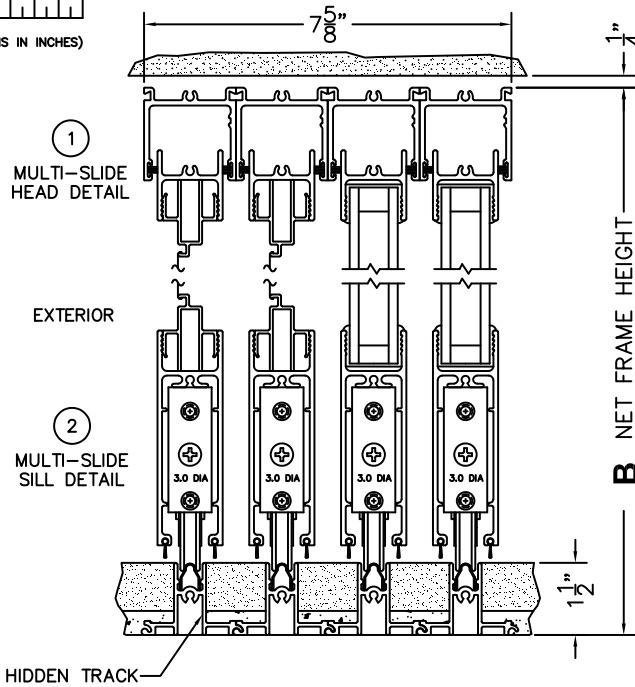


PXX DOOR SHOWN

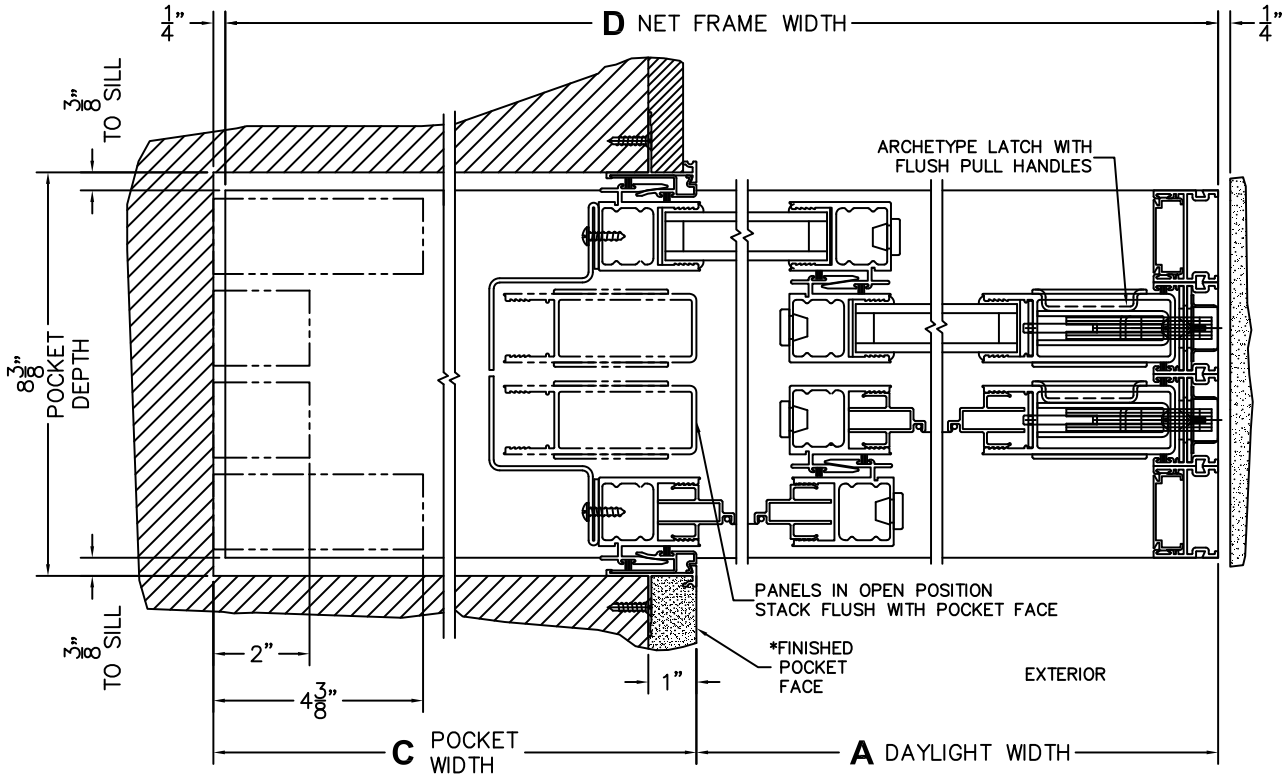


(USE RULER TO SCALE DIMENSIONS IN INCHES)

SCALE: 1/4



POCKET JAMB (3) POCKET INTERLOCKER (4) INTERLOCKERS (5) LOCK JAMB (6)



*CAUTION: WHEN CONSTRUCTING POCKET NOTE THAT DAYLIGHT WIDTH DOES NOT INCLUDE 1" S T BACK FOR POST INTERLOCKER.