

**FLEETWOOD**  
WINDOWS & DOORS  
FleetwoodUSA.com

# NORWOOD 3050

PXX CUSTOM CONFIGURATION  
WITH SCREENS HIDDEN TRACK

ORDER NO.:

ITEM NO.:

REQUIRED DEALER INFO.

**A** (DAYLIGHT WIDTH)

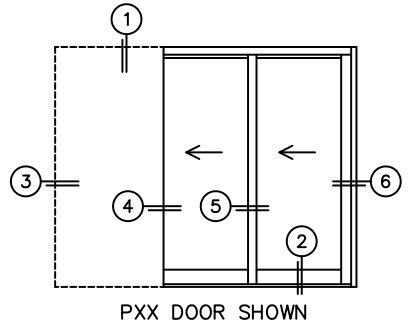
**B** (NET FRAME HEIGHT)

CALCULATED VALUES (FLEETWOOD SUPPLIED)

**C** (POCKET WIDTH)

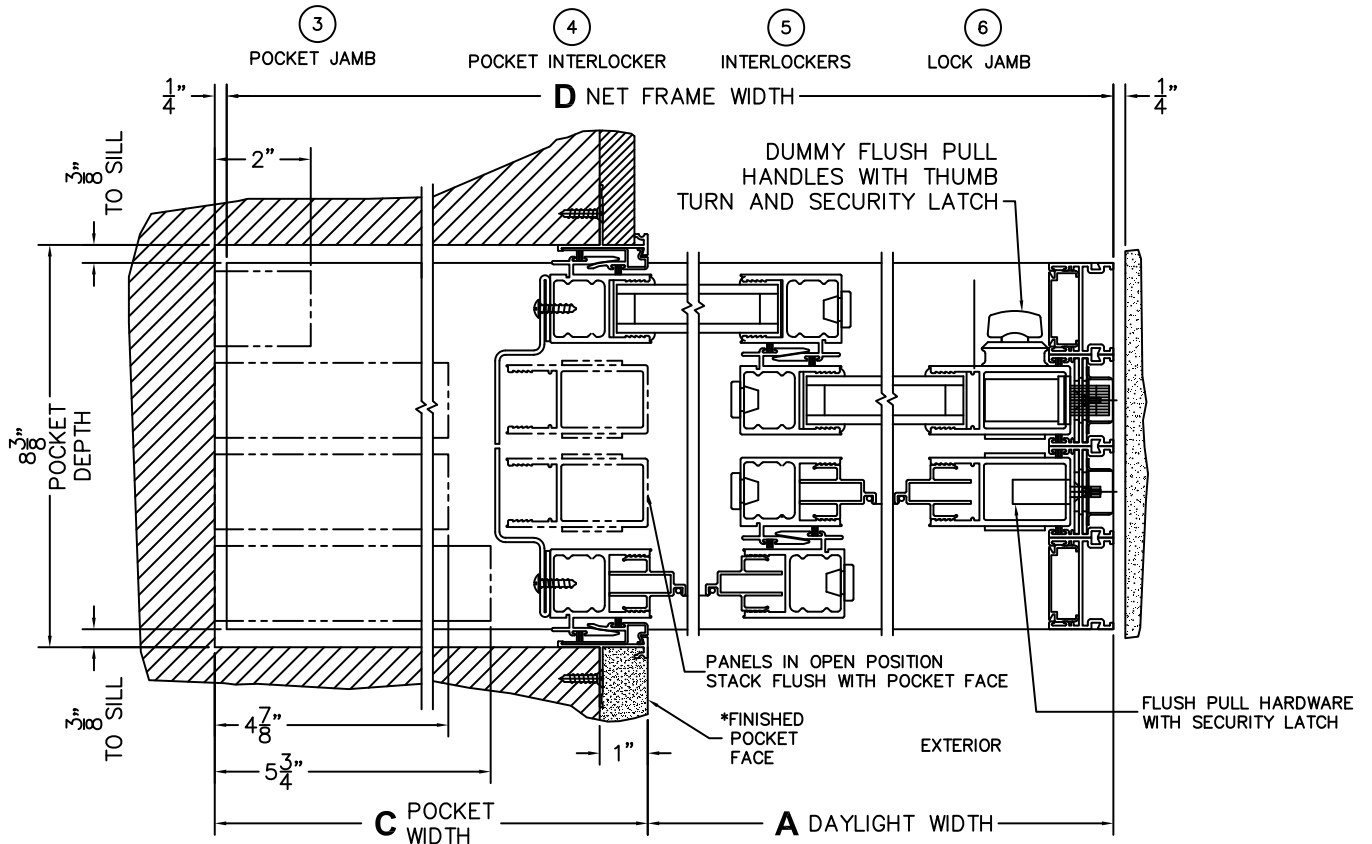
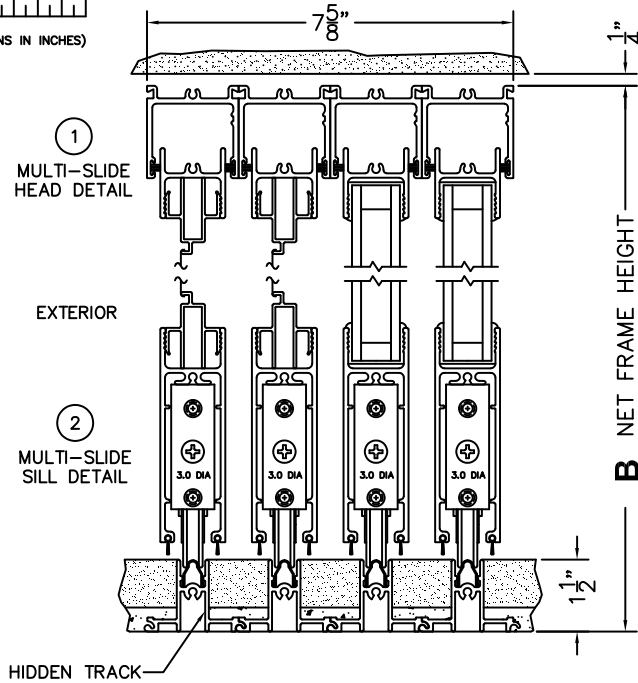
**D** (NET FRAME WIDTH)

NOTES:



(USE RULER TO SCALE DIMENSIONS IN INCHES)

SCALE: 1/4



\*CAUTION: WHEN CONSTRUCTING POCKET NOTE THAT DAYLIGHT WIDTH DOES NOT INCLUDE 1" S BACK FOR POST INTERLOCKER.