

**FLEETWOOD**  
WINDOWS & DOORS  
FleetwoodUSA.com

**NORWOOD 3050 M/S**  
**PXX CUSTOM CONFIGURATION**  
**NO SCREENS HIDDEN TRACK**

ORDER NO.:

ITEM NO.:

REQUIRED DEALER INFO.

**A** (DAYLIGHT WIDTH)

**B** (NET FRAME HEIGHT)

CALCULATED VALUES (FLEETWOOD SUPPLIED)

**C** (POCKET WIDTH)

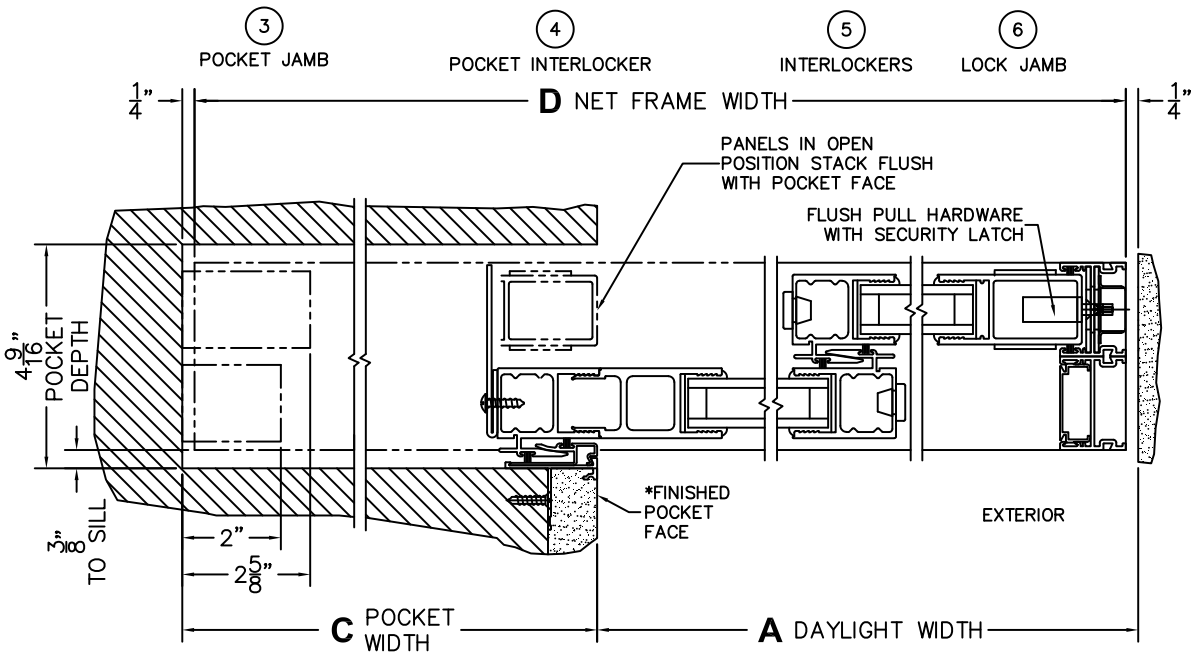
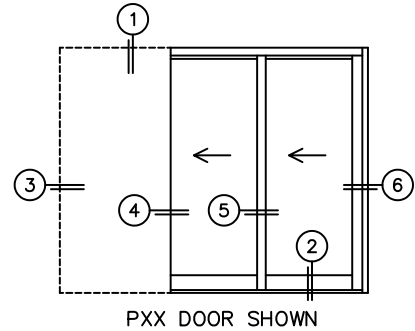
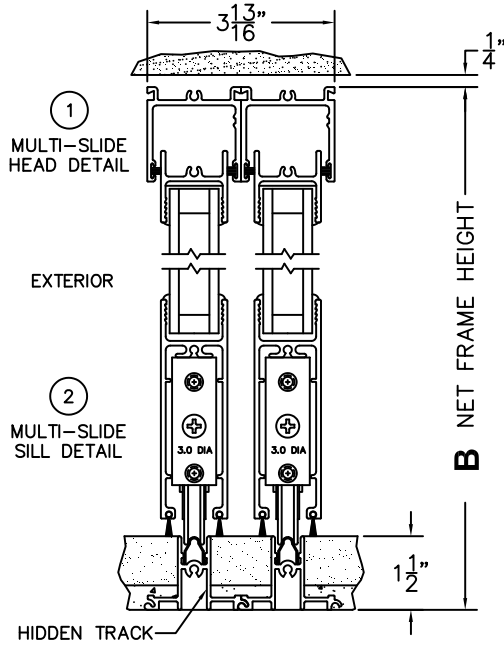
**D** (NET FRAME WIDTH)

NOTES:



(USE RULER TO SCALE DIMENSIONS IN INCHES)

SCALE: 1/4



\*CAUTION: WHEN CONSTRUCTING POCKET  
NOTE THAT DAYLIGHT WIDTH DOES NOT  
INCLUDE 1" SET BACK FOR POST INTERLOCKER.