

FLEETWOOD
WINDOWS & DOORS
FleetwoodUSA.com

NORWOOD 3050

PXIXP STANDARD CONFIGURATION
WITH SCREENS HIDDEN TRACK

ORDER NO.:

ITEM NO.:

REQUIRED DEALER INFO.

A(DAYLIGHT WIDTH)

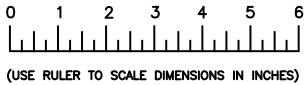
B(NET FRAME HEIGHT)

CALCULATED VALUES (FLEETWOOD SUPPLIED)

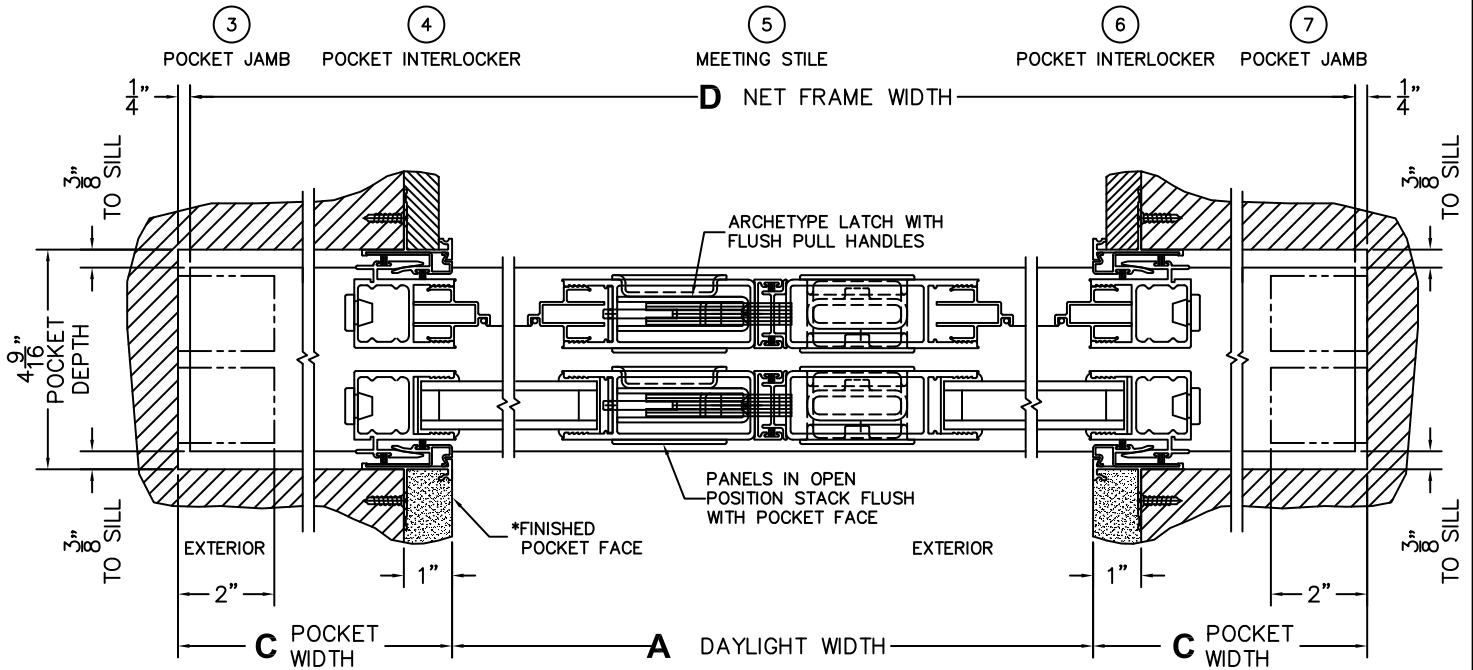
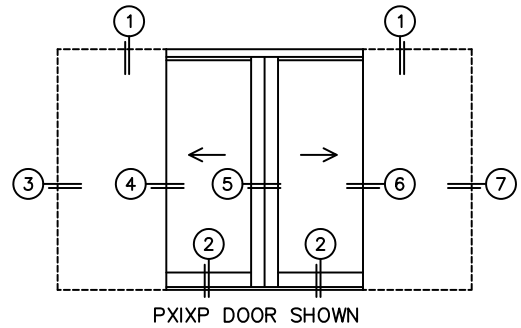
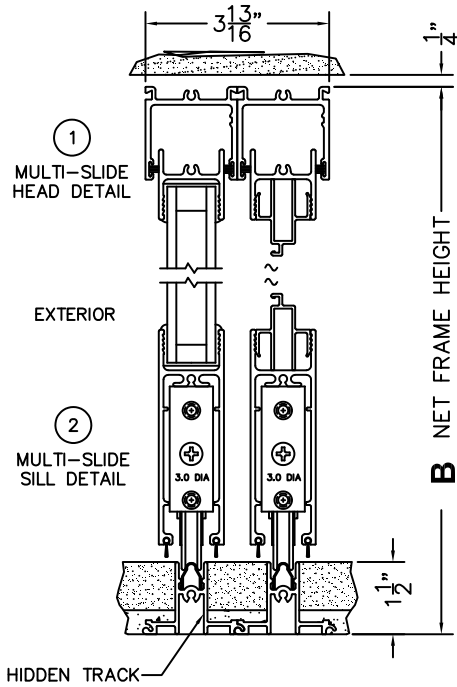
C(POCKET WIDTH)

D(NET FRAME WIDTH)

NOTES:



SCALE: 1/4



* CAUTION: WHEN CONSTRUCTING POCKET NOTE THAT DAYLIGHT WIDTH DOES NOT INCLUDE 1" SET BACK FOR POST INTERLOCKER.