

**FLEETWOOD**  
WINDOWS & DOORS  
FleetwoodUSA.com

**NORWOOD 3050**  
PIXIP CUSTOM CONFIGURATION  
HIDDEN TRACK NO SCREENS

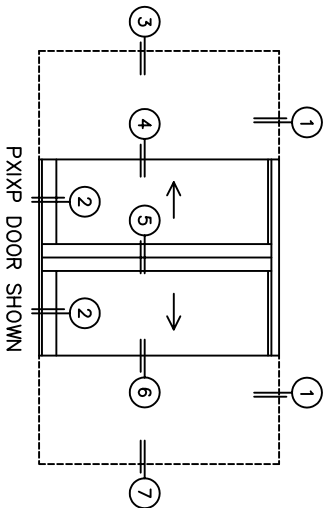
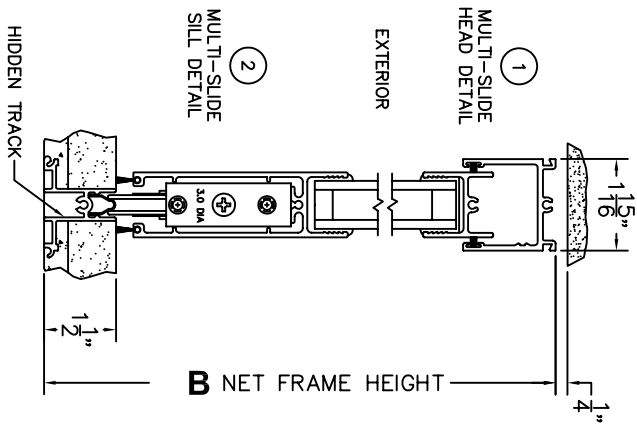
ORDER NO.:  
ITEM NO.:

SCALE: 1/4

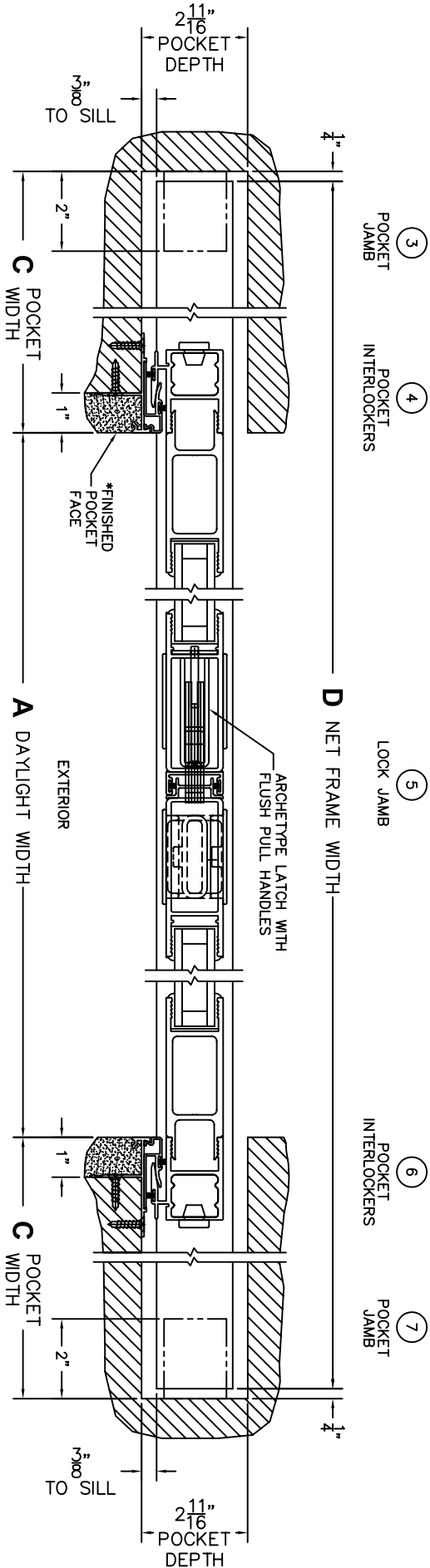
REQUIRED DEALER INFO.

A (DAYLIGHT WIDTH)  
B (NET FRAME HEIGHT)

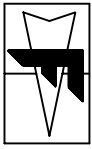
CALCULATED VALUES (FLEETWOOD SUPPLIED)	
C (POCKET WIDTH)	
D (NET FRAME WIDTH)	



NOTES:



\*CAUTION: WHEN CONSTRUCTING POCKET NOTE THAT DAYLIGHT WIDTH DOES NOT INCLUDE 1" SET BACK FOR POST INTERLOCKER.



**FLEETWOOD**  
 WINDOWS & DOORS  
 FleetwoodUSA.com

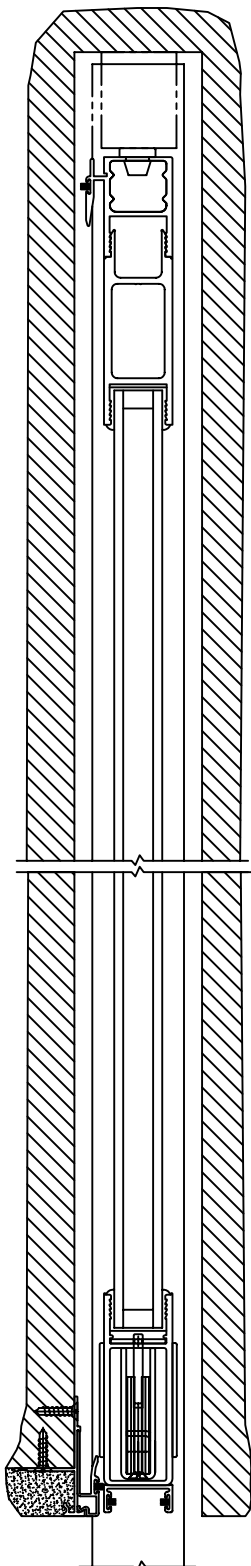
**NORWOOD 3050**  
 PIXIP CUSTOM CONFIGURATION  
 HIDDEN TRACK NO SCREENS

ORDER NO.:

ITEM NO.:

SCALE: 1/4

POCKET VIEWS: PANELS IN OPEN POSITION  
 (LEFT SIDE)



(RIGHT SIDE)

